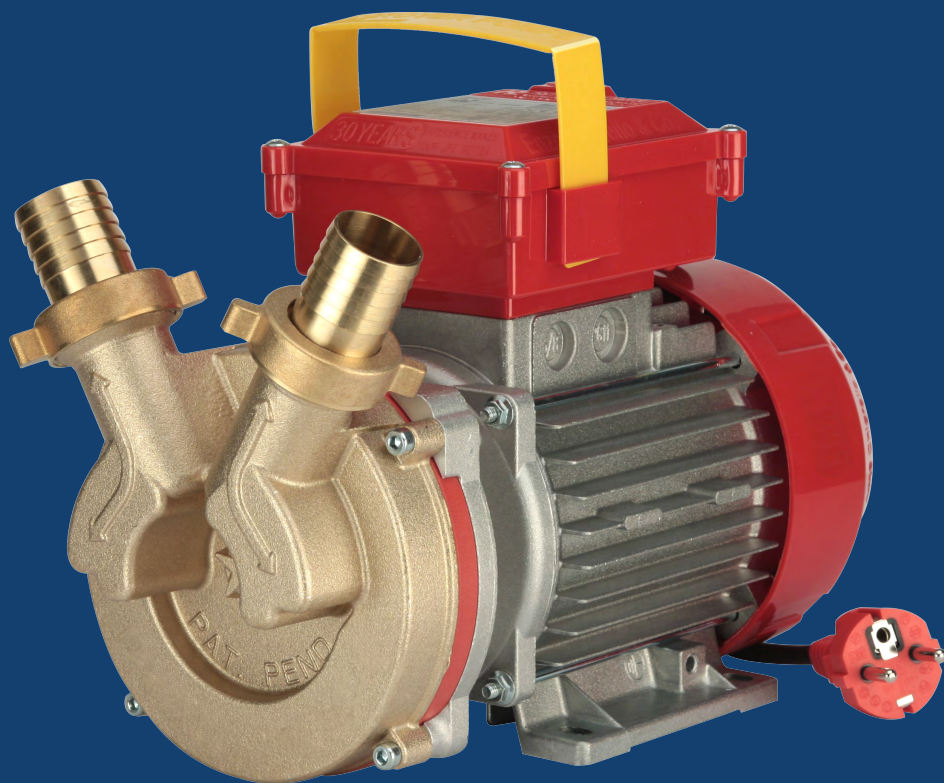




Pumps and filters for  
Food and Beverage applications

---

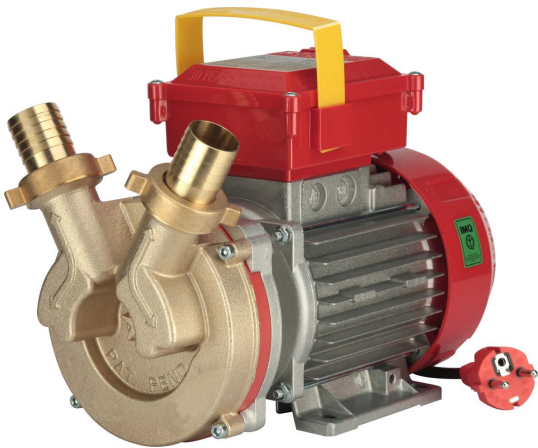
Made in Italy



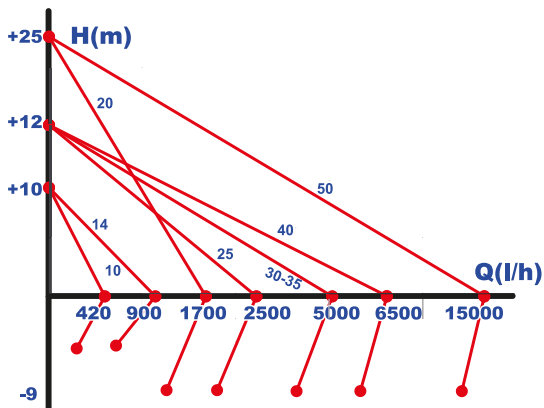
Catalogo 50/60 Hz

## BRONZE PUMPS

### Single- phase


**BM Technical Data - 50/60 Hz**

Pumps	Phase	Hp	W	Hmax(m)	L/h	Rpm
<b>BM 10</b>	Single phase	0,4	320	10	420	2850
<b>BM 14</b>	Single phase	0,6	420	10	900	1450
<b>BM 20</b>	Single phase	0,5	340	25	1700	2850
<b>BM 25</b>	Single phase	0,6	420	12	2400	1450
<b>BM 30</b>	Single phase	1	650	15	5000	1450
<b>BM 40</b>	Single phase	1.2	800	15	6500	1450
<b>BM 50</b>	Single phase	3	2100	25	15000	1450

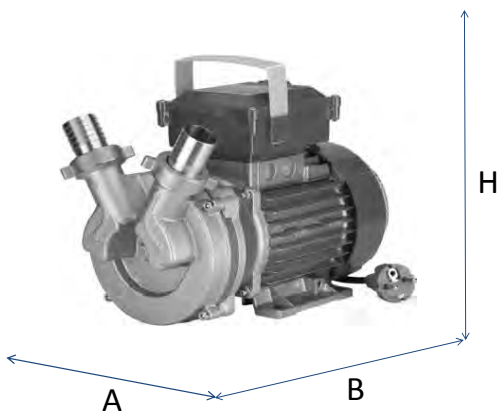
**Operating Curves**

**Specifications**

**Pump material: Bronze**

**Bronze radial impeller**

**Plug: Shucko 16A**

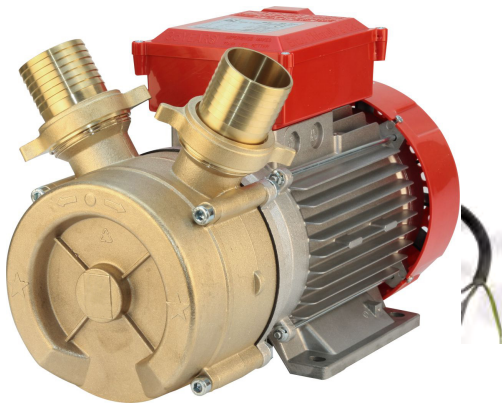
**Food and Beverage Applications**


**Dimensions**

Pump	D(mm)	A(mm)	B(mm)	H(mm)	Kg
<b>BM 10</b>	10	210	120	190	4
<b>BM 14</b>	14	230	120	190	5
<b>BM 20</b>	20	230	120	190	5
<b>BM 25</b>	25	250	120	190	6
<b>BM 30</b>	30	310	150	210	10
<b>BM 40</b>	40	320	150	210	11
<b>BM 50</b>	50	400	170	240	22

## BRONZE PUMPS

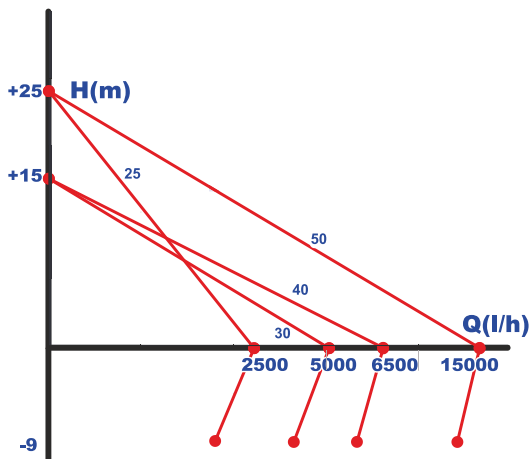
### Three- phase



BT Technical Data

Pumps	Phase	Hp	W	Hmax(m)	L/h	Rpm
<b>BT 25</b>	Three phase	0,8	420	25	2500	2850
<b>BT 30</b>	Three phase	1	650	15	5000	1450
<b>BT 40</b>	Three phase	1,2	800	15	6500	1450
<b>BT 50</b>	Three phase	3	2100	25	15000	1450

Operating Curves



Specifications

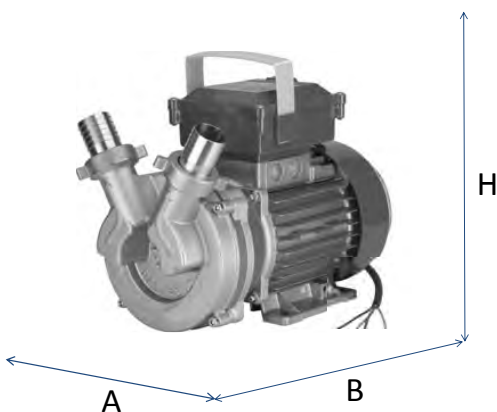
Pump material: Bronze

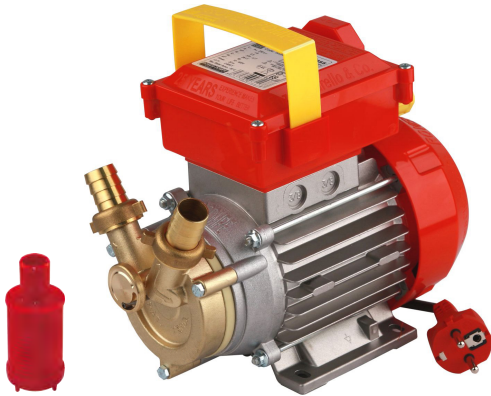
Bronze radial impeller

Food and Beverage Applications

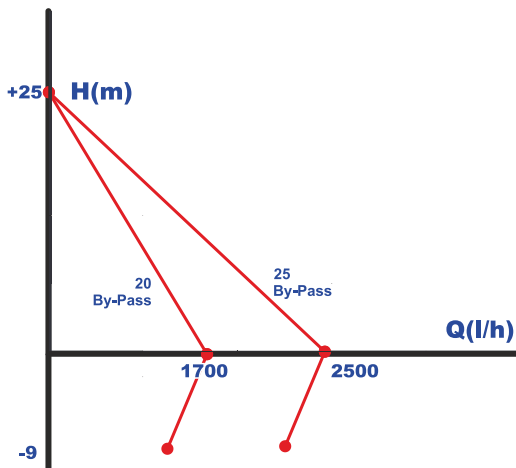
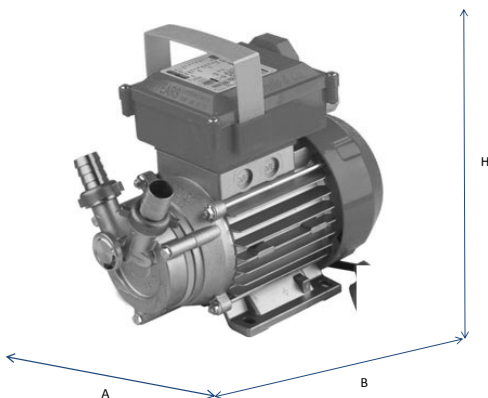
Dimensions

Pump	D(mm)	A(mm)	B(mm)	H(mm)	Kg
<b>BT 25</b>	25	230	120	190	6
<b>BT 30</b>	30	310	150	210	7
<b>BT 40</b>	40	320	150	210	12
<b>BT 50</b>	50	400	170	240	22



**BRONZE PUMPS + by pass**
**Single- phase**

**BM Technical Data**

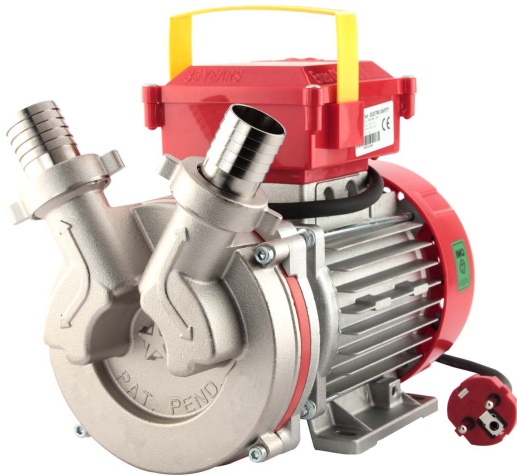
Pumps	Phase	Hp	W	Hmax(m)	L/h	Rpm
<b>BM+BP 20</b>	Single phase	0,5	340	12-24	800-1700	2850
<b>BM+BP 25</b>	Single phase	0,8	550	12-24	1200-2400	2850

**Operating Curves**

**Specifications**
**Pump Material: Bronze**
**Bronze Radial Impeller**
**Plug: Shucko 16A**
**Food and Beverage Applications**

**Dimensions**

Pump	D(mm)	A(mm)	B(mm)	H(mm)	Kg
<b>BM+BP 20</b>	<b>25</b>	230	120	190	5
<b>BM+BP 25</b>	<b>30</b>	230	120	190	6

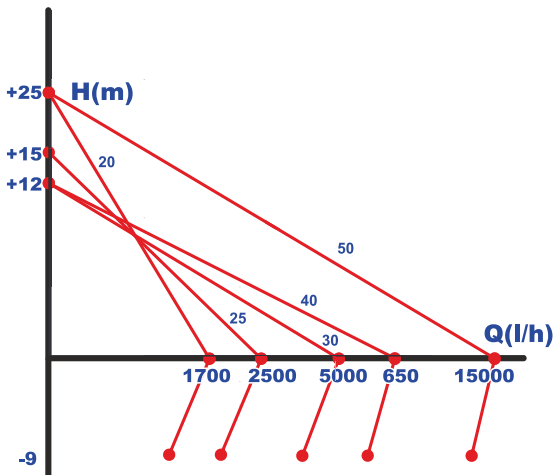
## BRASS PUMPS COVERED BY CHEMICAL NICKEL PLATING

### Single- phase



BXM Technical Data						
Pumps	Phase	Hp	W	Hmax(m)	L/h	Rpm
<b>BXM 20</b>	Single phase	0,5	340	25	1700	2850
<b>BXM 25</b>	Single phase	0,6	420	12	2400	1450
<b>BXM 30</b>	Single phase	1	650	15	5000	1450
<b>BXM 40</b>	Single phase	1,2	800	15	6500	1450
<b>BXM 50</b>	Single phase	3	2100	25	15000	1450

#### Operating Curves



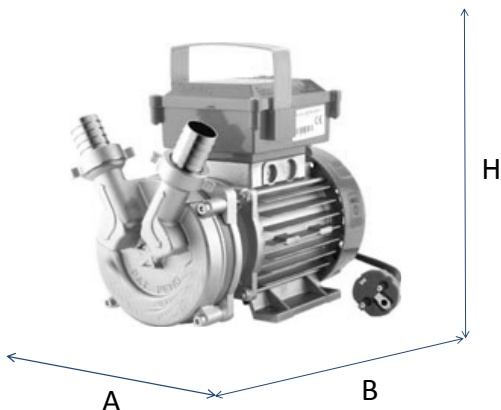
#### Specifications

Pump Material: Inox

Inox impeller

Plug: Shucko 16A

Food and Beverage Applications

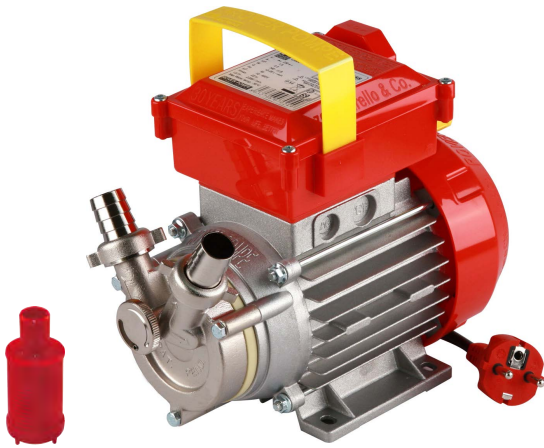


#### Dimensions

Pump	D(mm)	A(mm)	B(mm)	H(mm)	Kg
<b>BXM 20</b>	20	230	120	190	5
<b>BXM 25</b>	25	250	120	190	6
<b>BXM 30</b>	30	310	150	210	10
<b>BXM 40</b>	40	320	150	210	11
<b>BXM 50</b>	50	400	170	240	22

## BRASS PUMPS COVERED BY CHEMICAL NICKEL PLATING + by pass

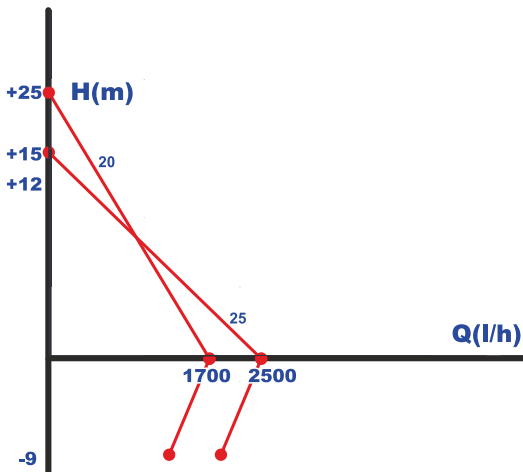
### Single- phase



#### BXM Technical Data

Pumps	Phase	Hp	W	Hmax(m)	L/h	Rpm
<b>BXM 20 by-pass</b>	Single phase	0,5	340	25	800-1700	2850
<b>BXM 25 by-pass</b>	Single phase	0,8	460	20	1500-2500	2850

#### Operating Curves



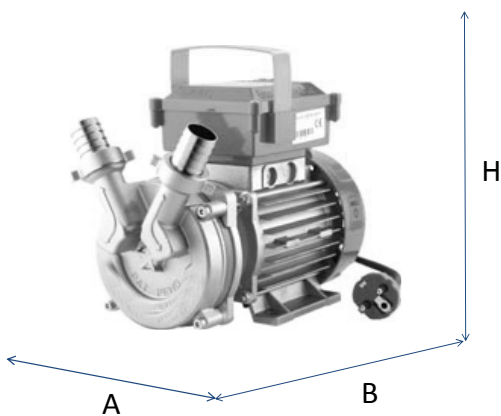
#### Specifications

Pump Material: Inox

Inox impeller

Plug: Shucko 16A

Food and Beverage Applications

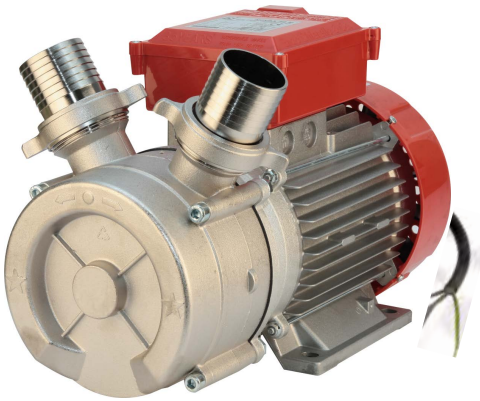


#### Dimensions

Pump	D(mm)	A(mm)	B(mm)	H(mm)	Kg
<b>BXM 20 by-pass</b>	20	230	120	190	5
<b>BXM 25 by-pass</b>	25	230	120	190	6

## BRASS PUMPS COVERED BY CHEMICAL NICKEL PLATING

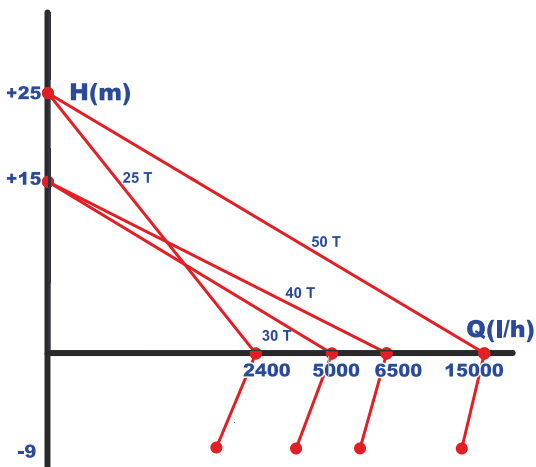
### Three- phase



#### BXT Technical Data

Pumps	Phase	Hp	W	Hmax(m)	L/h	Rpm
<b>BXT 25</b>	Three phase	0,8	540	25	2400	2850
<b>BXT 30</b>	Three phase	1	720	15	5000	1450
<b>BXT 40</b>	Three phase	1,2	800	15	6500	1450
<b>BXT 50</b>	Three phase	3	2100	25	15000	1450

#### Operating Curves

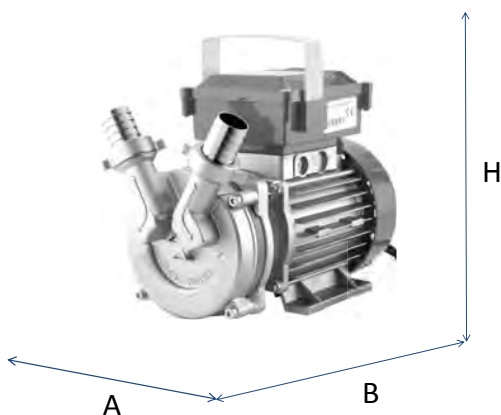


#### Specifications

**Pump Material: Inox**

**Inox impeller**

**Food and Beverage Applications**



#### Dimensions

Pump	D(mm)	A(mm)	B(mm)	H(mm)	Kg
<b>BXT 25</b>	25	230	120	190	6
<b>BXT 30</b>	30	300	150	210	10
<b>BXT 40</b>	40	320	150	210	11
<b>BXT 50</b>	50	400	170	240	22





### Technical Data - 50/60 Hz

Pumps	Phase	Hp	Kw	Hmax(m)	L/h	Rpm
<b>FILTER KIT 6</b>	Single phase	0,5	0,37	25	1700	2850
<b>FILTER KIT 12</b>	Single phase	0,5	0,37	25	2500	2850
<b>FILTER KIT 18</b>	Single phase	0,5	0,37	20	4500	2800

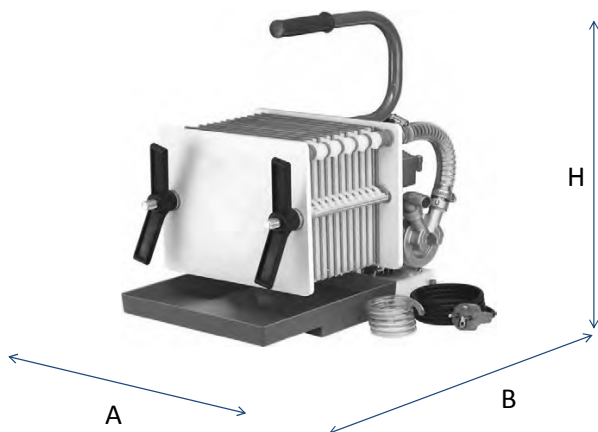
### Specifications

Food and Beverage Applications

Kit made of Pump + Filter Pads

Number of Filter Pads: 6, 8, 12

Plug: Shucko 16A



### Dimensions

Pump	A(mm)	B(mm)	H(mm)	Wire(m)	Kg
<b>FILTER KIT 6</b>	400	270	280	1,5	15
<b>FILTER KIT 12</b>	430	270	280	1,5	16
<b>FILTER KIT 18</b>	450	270	280	1,5	17





Noozle	
Model	D (mm)
Manual Noozle 20mm	24,5
Manual Noozle 25mm	24,5
Food Stuff Noozle 20mm	24,5
Food Stuff Noozle 25mm	25,4
Manual Aluminium Noozle 20mm	25
Manual Aluminium Noozle 25mm	25
Automatic Noozle 3/4" for Gas - 60L	24,5
Automatic Noozle 1" for Gas - 110L	30



Food Pipe				
Model	Inner Diameter (mm)	Working Pressure (kg/cm <sup>2</sup> )	Length (m)	Kg
Food Pipe 20	20	5	30	21
Food Pipe 25	25	5	30	30



Diesel Pipe				
Model	Inner Diameter (mm)	Working Pressure (kg/cm <sup>2</sup> )	Length (m)	Kg
Diesel Pipe 20	20	5	50	19
Diesel Pipe 25	25	5	50	27

### WINE COUNTER



#### Specifications

Specifically designed for Wine

Q = 20 - 120 L/min

Pmax = 0.30 MPa

### DIESEL COUNTER



#### Specifications

Specifically designed for Diesel

Q = 20 - 120 L/min

Pmax = 0.30 MPa





[www.sistema-pumps.com](http://www.sistema-pumps.com)