



Rewindable Submersible Motors

Made in Italy



Catalogo 50/60 Hz

4" REWINDABLE OIL FILLED SUBMERSIBLE MOTOR

LIQUID COOLED SUBMERSIBLE MOTORS P 4000 SERIES

The technical specifications grant high performances, superior quality, trustable reliability and ease of installation. Sistema's motors are suitable for use with variable speed drive: 30-50 Hz or 40-60 Hz are the recommended frequency ranges.

MANUFACTURING FEATURES

- Stainless steel sleeve
- NEMA 4" coupling
- Stator winding in double copper enameled F class wire
- IP68 protection
- Liquid cooled: food grade oil
- Cooling liquid volume compensator
- Axial load on ball bearings
- Mechanical seal and sand guard

CHARACTERISTICS

- Voltage: single phase $V_{230} \pm 10\%$ - three phase $V_{400} \pm 10\%$
- Available in 50 Hz or 60 Hz
- Maximum starts per hour: 30
- Water maximum temperature: 30°C
- Axial load 3000 N from 0,37 up to 2,2 kW / from 0,55 up to 3 HP
- Axial load 6500 N from 3 up to 7,5 kW / from 4 up to 10 HP

MANUFACTURING RANGE

- Single phase: from 0,37 kW up to 2,2 kW / from 0,55 HP up to 3 HP in 230 V 50 Hz
- Three phase: from 0,37 kW up to 7,5 kW in 230 V 50 Hz
- Three phase: from 0,37 kW up to 7,5 kW in 400 V 50 H.

ALSO AVAILABLE IN 60 Hz

Out of standard Voltage available upon request



6" REWINDABLE WATER FILLED SUBMERSIBLE MOTOR

6"/8"/10" SUBMERSIBLE MOTORS SERIES P600 - P800 - P10000

The technical specifications grant high performances, superior quality, trustable reliability and ease of installation. Sistema's motors are suitable for use with variable speed drive: 30-50 Hz or 40-60 Hz are the recommended frequency ranges.

MANUFACTURING FEATURES

- Stainless steel sleeve
- Upper and lower supports and base in G 25 cast iron. **Fully stainless steel version available in AISI 304, AISI 316, Duplex and AISI 904**
- NEMA coupling
- Thermoplastic protection of winding copper wire are used in the statoric part, upon request PE2+PE winding wire for higher water temperatures
- Isolation class Y
- Protection IP68
- Rotor with AISI 431 shaft, bearing bushes in carbide (upon request available in BSPB15% bronze). Thrust bearing Mitchell type suitable to withstand the maximum load with very high safety standards.
- Compensation diaphragm able to equalize inner and outer pressures and related variations due to the temperature spectrum during the motor functioning in the well.

MODELS

- Available in 50 Hz and 60 Hz versions
- Maximum number of starts per hour: 6" 20 – 8" 15 - 10": 10
- Water maximum temperature: 30°C – with PE2+PA winding up to 55°C
- Axial load 6": 16.000 N from 4 to 18,5 kW / from 5,5 up to 25 HP – 30.000 N from 22 up to 37 kW / from 30 up to 50 HP
- Axial load 8": 50.000 N from 30 up to 92 kW / from 40 up to 125 HP
- Axial load 10": 70.000 N from 75 up to 129 kW / from 100 up to 175 HP

CHARACTERISTICS

- 6" motors from 4 kW up to 37 kW / from 5,5 HP up to 50 HP 230 V-1000 V 50 Hz or 60 Hz
- 8" motors from 30 kW up to 92 kW / from 40 HP up to 125 HP 230 V-1000 V 50 Hz or 60 Hz
- 10" motors from 75 kW up to 129 kW / from 100 HP up to 175 HP 230 V-1000 V 50 Hz or 60 Hz

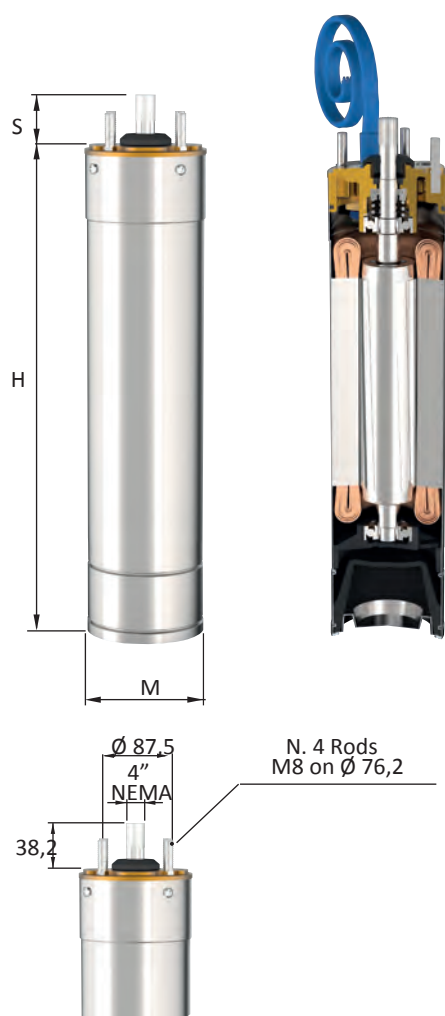
OUT OF STANDARD EXECUTIONS

- Star-Delta starting
- All models available in fully stainless steel: AISI 304, AISI 316, Duplex or AISI 904
- Higher water temperatures up to 55°C with PE2 +PA winding
- Mechanical seal available upon request



4" REWINDABLE OIL FILLED SUBMERSIBLE MOTOR

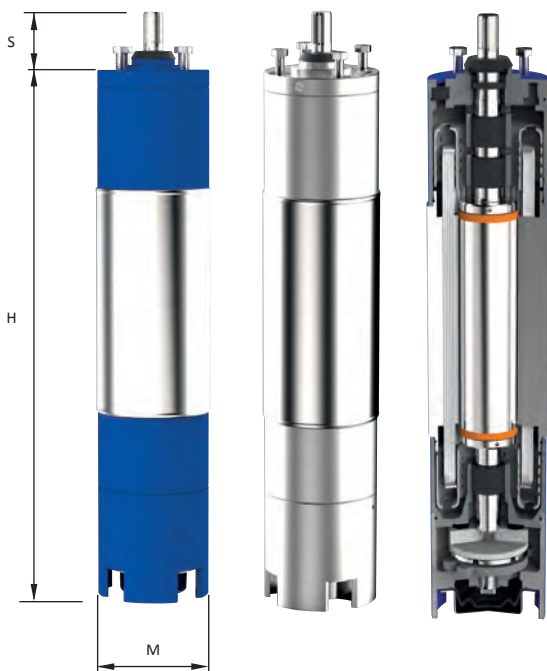
Motor				50 Hz - 2900 rpm 60 Hz - 3450 rpm			Technical Data		
Single Phase	Power		V 230	DN	Axial Thrust (N)	cos φ	Std Cable length m		
	kW	HP	A						
P 4005 M	0,37	0,5	3,5	4"	1500 N	0,97	1,5		
P 4007 M	0,55	0,75	4,9		1500 N	0,97			
P 4010 M	0,75	1	6,5		1500 N	0,97			
P 4015 M	1,1	1,5	9,4		2500 N	0,97			
P 4020 M	1,5	2	11,5		2500 N	0,97			
P 4030 M	2,2	3	14,7		2500 N	0,97			
Three Phase	Power		V 400	DN	Axial Thrust (N)	cos φ	Std Cable L		
	kW	HP	A						
P 4007 T	0,55	0,75	2,2	4"	1500 N	0,74	1,5		
P 4010 T	0,75	1	2,2		1500 N	0,74			
P 4015 T	1,1	1,5	3		2500 N	0,74			
P 4020 T	1,5	2	4		2500 N	0,75			
P 4030 T	2,2	3	5,7		2500 N	0,76			
P 4040 T	3	4	7,4		2500 N	0,76	2,5		
P 4055 T	4	5,5	10		4500 N	0,78			
P 4075 T	5,5	7,5	13,5		4500 N	0,8			
P 40100 T	7,5	10	18		4500 N	0,8			



Motor 50 Hz - 2900 rpm 60 Hz - 3450 rpm	Overall dimensions and weights						
	Type	H mm	S mm	M mm	P kg		
Single Phase	P 4005 M	317	38,2	96	7		
	P 4007 M	337			8		
	P 4010 M	362			10		
	P 4015 M	392			12		
	P 4020 M	422			13		
	P 4030 M	467			15		
Three Phase	P 4007 T	317	38,2	96	8		
	P 4010 T	337			10		
	P 4015 T	362			12		
	P 4020 T	392			13		
	P 4030 T	452			15		
	P 4040 T	557			19		
	P 4055 T	597			22		
	P 4075 T	698			27		
	P 40100 T	818					32

6" REWINDABLE WATER FILLED SUBMERSIBLE MOTOR

Motor					Cable outlets				Std Cable length m
50 Hz - 2900 rpm 60 Hz - 3450 rpm					Cross section mm ²				
Type	Power		V 230	V 400	Starting				
	kW	HP	A	A	Direct		Star Delta		
					230 V +/- 5%	400 V +/- 5%	230/240 V	400/690 V	
P 605	4	5,5	17	10	4x4	4x2,5	2x(4x4)	2x(4x2,5)	3
P 607	5,5	7,5	21,5	12,5	4x4	4x2,5	2x(4x4)	2x(4x2,5)	
P 610	7,5	10	29,5	17	4x6	4x4	2x(4x6)	2x(4x4)	
P 612	9,2	12,5	36	21	4x6	4x4	2x(4x6)	2x(4x4)	
P 615	11	15	42,5	24,5	4x6	4x4	2x(4x6)	2x(4x4)	
P 617	13	17,5	49	28	4x10	4x6	2x(4x10)	2x(4x6)	
P 620	15	20	55,5	32	4x10	4x6	2x(4x10)	2x(4x6)	
P 625	18,5	25	69	40	4x16	4x10	2x(4x16)	2x(4x10)	
P 630	22	30	82	47,5	4x16	4x10	2x(4x16)	2x(4x10)	
P 635	26	35	95	55	4x16	4x10	2x(4x16)	2x(4x10)	
P 640	30	40	108	62,5	2x(4x16)	4x16	2x(4x16)	2x(4x16)	
P 650	37	50	135	78	2x(4x16)	4x16	2x(4x16)	2x(4x16)	



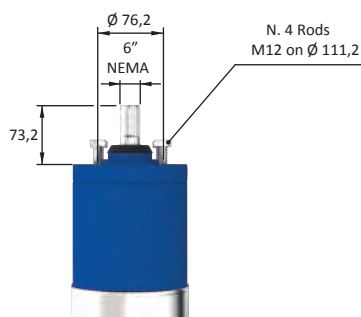
Motor - 50 Hz - 2900 rpm 60 Hz - 3450 rpm	Overall dimensions and weights			
Type	H mm	S mm	M mm	P kg
P 605	646	73,2	145	40
P 607	671			45
P 610	701			55
P 612	751			60
P 615	811			65
P 617	841			70
P 620	931			75
P 625	991			83
P 630	1071			92
P 635	1181			100
P 640	1251			108
P 650	1341			118

Standard version with motor supports in cast iron G25

Available also in AISI 304, AISI 316, DUPLEX and AISI 904

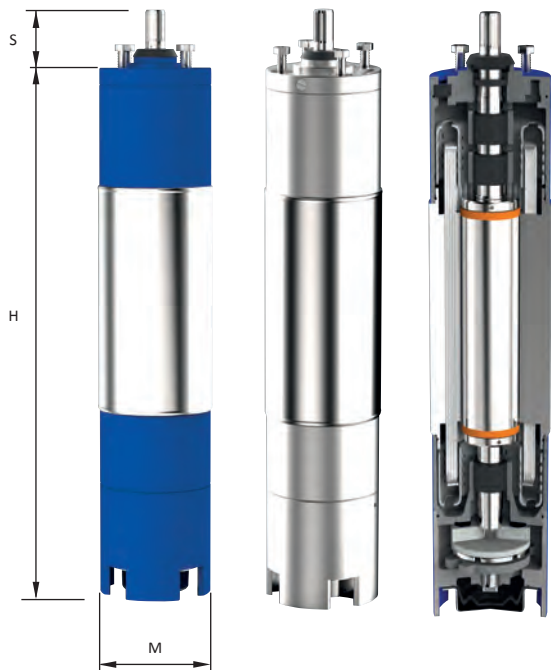
Cable length can be customized upon request

PT100 temperature sensor available upon request



8" REWINDABLE WATER FILLED SUBMERSIBLE MOTOR

Motor					50 Hz - 2900 rpm 60 Hz - 3450 rpm				Cable outlets			
Type	Power		V 230	V 400	DN	Cross section mm ²				Std Cable length m		
	kW	HP	A	A		Starting						
						Direct		Star Delta				
230 V +/- 5%	400 V +/- 5%	230/240 V	400/690 V									
P 850	37	50	135	78	8"	4x25	4x16	2x(4x25)	2x(4x16)	3		
P 860	44	60	159	92		4x25	4x16	2x(4x25)	2x(4x16)			
P 875	55	75	196,5	113,5		4x25	4x25	2x(4x25)	2x(4x25)			
P 890	66	90	233	134,5		4x25	4x25	2x(4x25)	2x(4x25)			
P 8100	75	100	259	149,5		4x25	4x25	2x(4x25)	2x(4x25)			
P 8125	92	125	319,5	185		4x25	4x35	2x(4x25)	2x(4x35)			



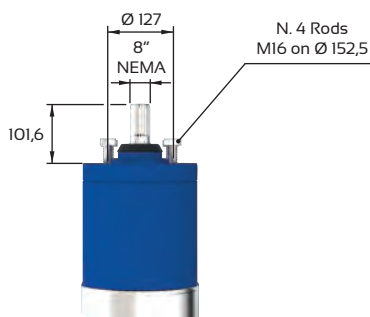
Motor 50 Hz - 2900 rpm 60 Hz - 3450 rpm	Overall dimensions and weights			
Type	H mm	S mm	M mm	P kg
P 850	1230	101,6	194	190
P 860	1310			200
P 875	1460			216
P 890	1610			260
P 8100	1710			286
P 8125	1860			310

Standard version with motor supports in cast iron G25

Available also in AISI 304, AISI 316, DUPLEX and AISI 904

Cable length can be customized upon request

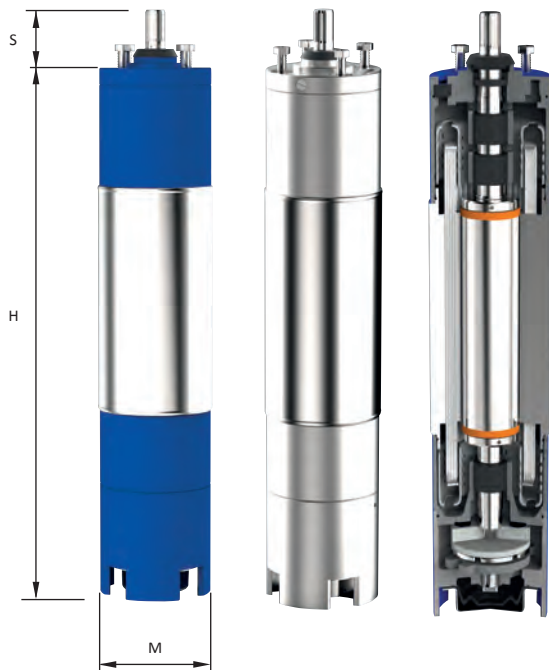
PT100 temperature sensor available upon request



10" REWINDABLE WATER FILLED SUBMERSIBLE MOTOR

Motor					Cable outlets				Std Cable length m	
50 Hz - 2900 rpm 60 Hz - 3450 rpm					Cross section mm ²					
Type	Power		V 230	V 400	DN	Starting				
	kW	HP	A	A		Direct		Star Delta		
						230 V +/- 5%	400 V +/- 5%	230/240 V	400/690 V	
P 10100	75	100	259	149,5	10"	4x35	4x25	2x(4x35)	2x(4x25)	3
P 10125	92	125	319,5	185		4x35	4x35	2x(4x35)	2x(4x35)	
P 10150	110	150	379	219		4x35	4x50	2x(4x35)	2x(4x50)	
P 10175	129	175	440	254,5		4x35	4x50	2x(4x35)	2x(4x50)	

Motor 50 Hz - 2900 rpm 60 Hz - 3450 rpm	Overall dimensions and weights			
Type	H mm	S mm	M mm	P kg
P 10100	1460	101,6	240	325
P 10125	1630			374
P 10150	1760			415
P 10175	1910			480



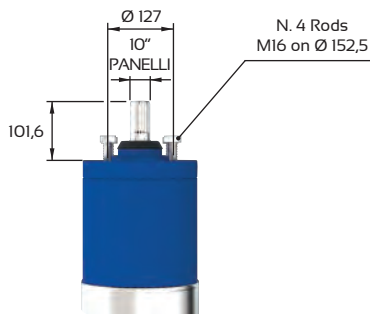
Standard version with motor supports in cast iron G25

Available also in AISI 304, AISI 316, DUPLEX and AISI 904

Cable length can be customized upon request

PT100 temperature sensor available upon request

On request for powers above 129Kw

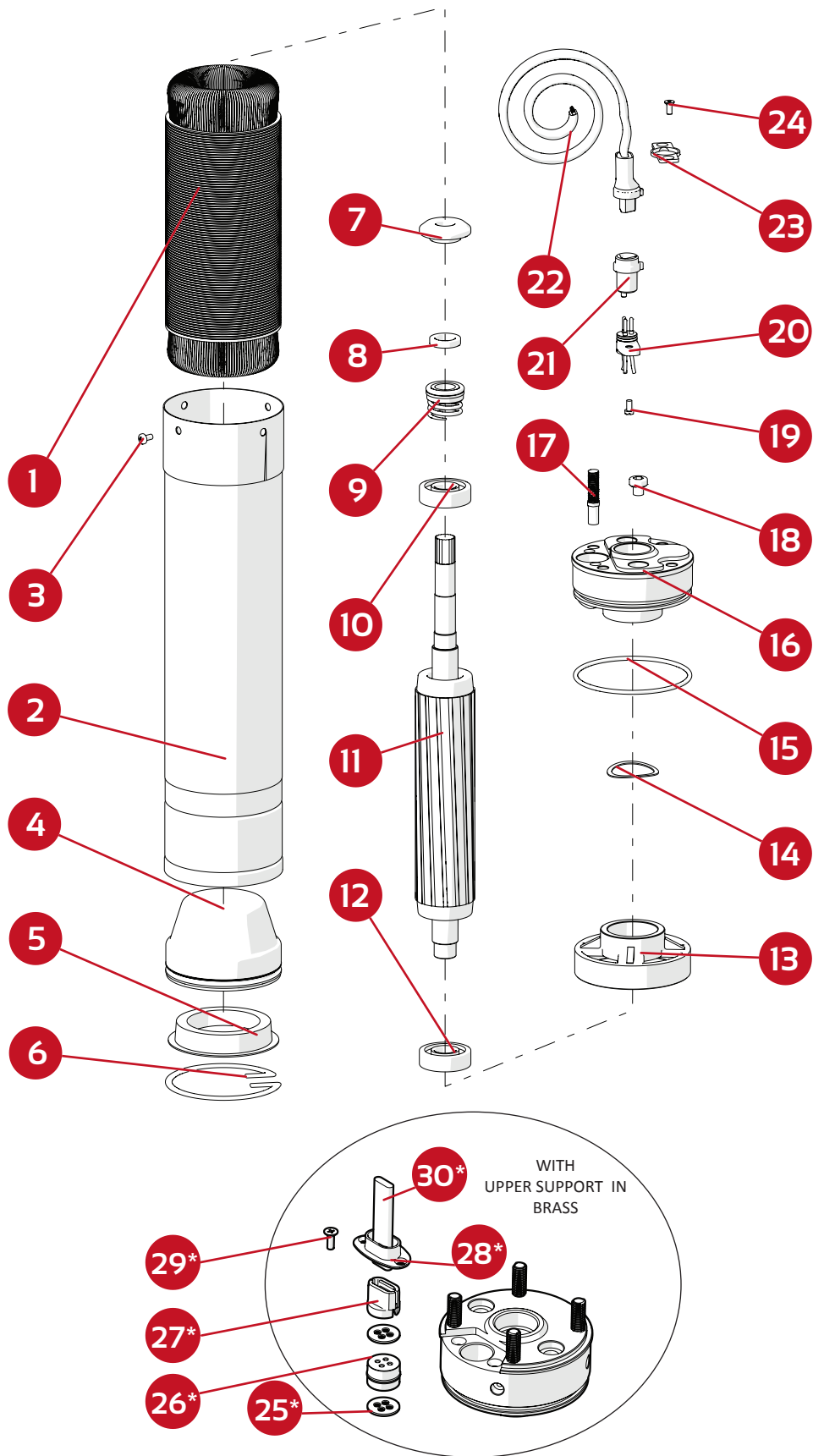


ELECTRIC FEATURES OF SUBMERSIBLE MOTORS - 6"/8"/10" - 2 POLES 50-60Hz
PROTECTION: IP 68 - INSULATION: CLASS F

Nominal diameter	Motor type	Rated power		In		η %			cos φ			Starting				Axial load daN	Max water temperature °C	Start/our max No.
		CV	KW	Rated current		Efficiency in %			Power factor F			Starting $\frac{C_s}{C_n}$	Start-delta $\frac{I_s}{I_n}$	Static $\frac{I_s}{I_n}$				
				230V $\pm 5\%$	400V $\pm 5\%$	4/4	3/4	2/4	4/4	3/4	2/4							
6"	P 605	5,5	4	17	10	79	80	75	80	76	65	1,6	5,4	1,8	3,2	2500	30	12
	P 607	7,5	5,5	21,5	12,5	80	81	76	81,5	76,5	65,5	1,6	5,6	1,9	3,4			
	P 610	10	7,5	29,5	17	81	82	77	81,5	77	66	1,8	5,7	1,9	3,4			
	P 612	12,5	9,2	36	21	82	82,5	78	82	77	66	1,8	5,7	1,9	3,4			
	P 615	15	11	42,5	24,5	83	83,5	79	82	77	66	1,9	5,9	2	3,5			
	P 617	17,5	13	49	28	84	84,5	80	82,5	78	67	1,9	6	2	3,6			
	P 620	20	15	55,5	32	84	85	80,5	83	78	67	1,8	5,9	2	3,5		30	10
	P 625	25	18,5	69	40	84	84,5	80	83,5	78	68	1,7	5,6	1,9	3,4			
	P 630	30	22	82	47,5	85	85,5	81	83,5	78,5	68	1,7	5,9	2	3,5			
	P 635	35	26	95	55	85	86	81	84	79	68	1,7	5,7	1,9	3,4			
	P 640	40	30	108	62,5	85,5	86,5	82	85	79	68	1,7	5,6	1,9	3,4			
	P 650	50	37	135	78	85	86	81	85	79	68	1,6	5,6	1,9	3,4			
8"	P 850	50	37	135	78	84	85	83	86,5	83,5	76	2,05	6,4	2,1	3,8	4500	30	10
	P 860	60	44	159	92	84	85	83	87	84	77	1,95	5,7	2	3,7			
	P 875	75	55	196,5	113,5	84,5	85,5	83,5	87,5	85	77,5	1,95	5,8	2	3,7			
	P 890	90	66	233	134,5	85	85,5	83,5	88	85	78	1,85	5,8	2	3,6		30	8
	P 8100	100	75	259	149,5	85	86	83	88	85	78	1,8	5,7	1,9	3,5			
	P 8125	125	92	319,5	185	85	86	83	88	85	78	1,8	5,7	1,9	3,5			
10"	P 10100	100	75	259	149,5	85	86	83	88	85	78	1,8	6,4	1,9	3,4	4500	30	6
	P 10125	125	92	319,5	185	86	85,5	83	88	85	78	1,7	6,3	1,9	3,4			
	P 10150	150	110	379	219	86	85,5	85	89	86	79	1,6	6,7	1,8	3,3			
	P 10175	175	129	440	254,5	85,5	86,5	85	90	87	80	1,55	6,5	1,8	3,3			

Service factor: 50Hz=1 - 60Hz= 1,2
Direction of rotation (view from shaft projection side: anti-clockwise)
Cs = Starting torque
Cn = Nominal couple
Is = Starting current
In = Nominal current

SPARE PARTS OF 4" REWINDABLE LIQUID COOLED SUBMERSIBLE MOTOR



N.B.
THE DETAILS MARKED BY THE ASTERISK(*) ARE PRESENT ONLY IN THE MOTOR 4 " WITH SUPERIOR
SUPPORT IN BRASS

SPARE PARTS OF 4" REWINDABLE OIL FILLED SUBMERSIBLE MOTOR

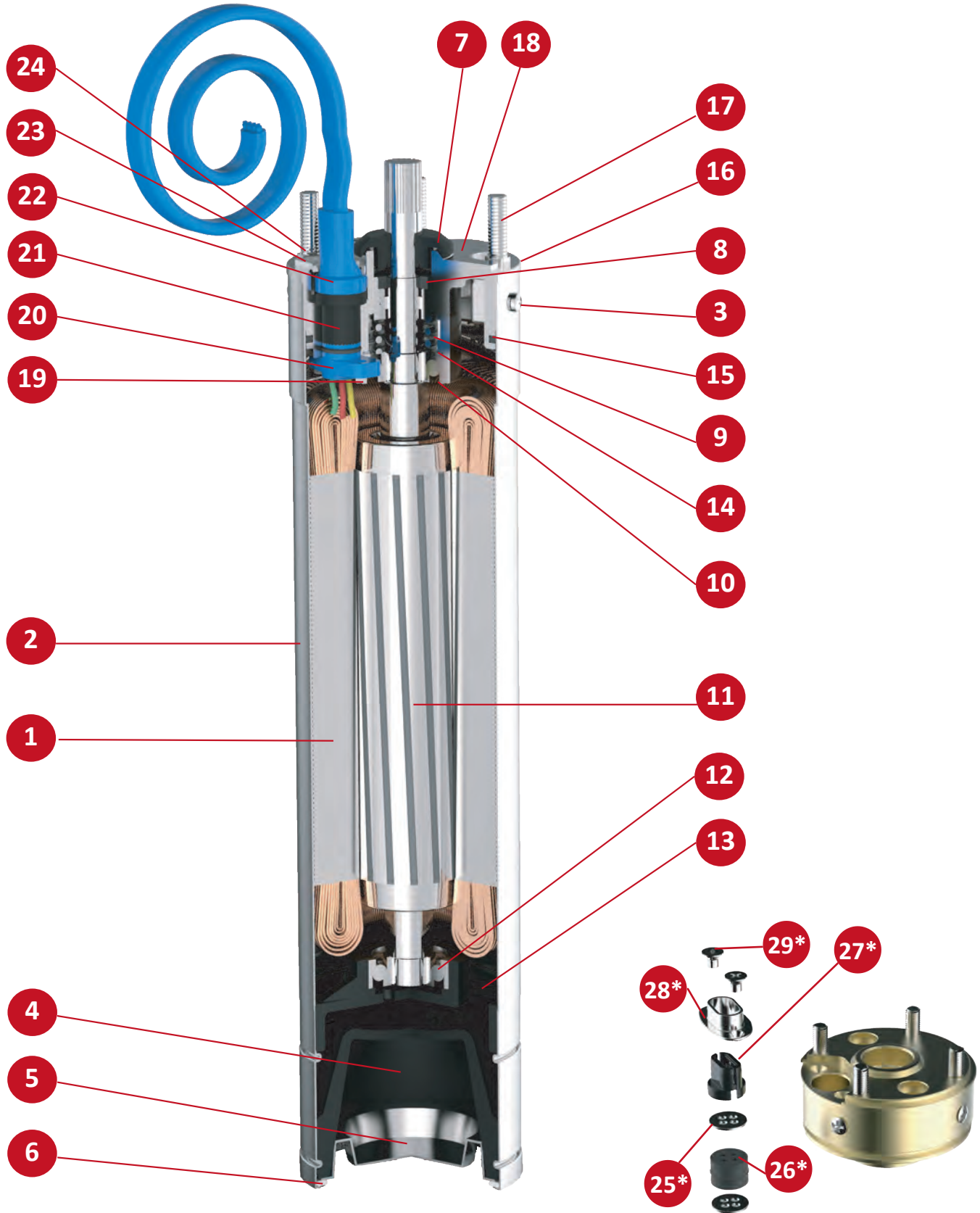
MOTOR 4" OIL FILLED				
N.CODE	DESCRIZIONE (Italiano)	MATERIALE (Italiano)	DESCRIPTION (English)	MATERIAL(English)
1	STATORE COMPLETO + AVVOLGIMENTO	LAMIERINO MAGNETICO + AVVOLGIMENTO	COMPLETE STATOR	MAGNETIC LAMINATION + WINDING
2	CAMICIA MOTORE	ACCIAIO INOX AISI 304	MOTOR SLEEVE	AISI 304
3	N.4 VITI PER CAMICIA	ACCIAIO INOX AISI 304	N.4 SCREW FOR SLEEVE	AISI 304
4	POLMONE	GOMMA	DIAPHRAM	NBR
5	COVER COPRIPOLMONE	ACCIAIO INOX AISI 304	COVER DIAPHRAM	AISI 304
6	SEEGER	ACCIAIO INOX AISI 304	SEEGER	AISI 304
7	DEFLETTORE	GOMMA	DEFLECTOR	NBR
8	ANELLO DI TENUTA/CORTECO	GOMMA	SEAL RINGS	NBR
9	TENUTA MECCANICA	ACCIAIO INOX+GRAFITE	MECHANICAL SEAL	AISI+ GRAPHITE
10	CUSCINETTO SUPERIORE	ACCIAIO INOX AISI 304	UPPER BEARING	AISI 304
11	ROTORE COMPLETO	ACCIAIO INOX	COMPLETE ROTOR	AISI
12	CUSCINETTO INFERIORE	ACCIAIO INOX AISI 304	LOWER BEARING	AISI 304
13	SUPPORTO INFERIORE	GHISA	LOWER SUPPORT	CAST IRON
14	RONDELLA ONDULATA	ACCIAIO INOX AISI 304	ONDULATED WASHER	AISI 304
15	O-RING	GOMMA	O-RING	NBR
16	SUPPORTO SUPERIORE	ACCIAIO INOX AISI 304 / OTTONE	UPPER SUPPORT	AISI 304 / BRASS
17	N.4 PRIGIONIERI	ACCIAIO INOX AISI 304	N.4 STUDS	AISI 304
18	TAPPO RIMEPIAMENTO OLIO	ACCIAIO INOX AISI 304	CAP OIL FILL	AISI 304
19	N.2VITI M4	ACCIAIO INOX AISI 304	N.2 SCREW M4	AISI 304
20	CONNETTORE MASCHIO	NORYL	CONNECTOR	NORYL
21	GOMMA PRESSACAVO	GOMMA	RUBBER CABLE GLAND	NBR
22	CONNETTORE FEMMINA	H07RNF	UPPER CONNECTOR	H07RNF
23	PIATTINA PER CONNETTORE	ACCIAIO INOX AISI 304	BRACKET METALLIC	AISI 304
24	N.2VITI M4	ACCIAIO INOX AISI 304	N.2 SCREW M4	AISI 304
25*	PIATTINA PER GOMMINO	ACCIAIO INOX AISI 304	PLATE FOR RUBBER PIECE	AISI 304
26*	GOMMINO PRESSACO	GOMMA	GLAND RUBBER	NBR
27*	PRESSACAVO	POM	GLAND	POM
28*	PIATTINA PRESSACAVO	ACCIAIO INOX AISI 304	GLAND PLATE	AISI 304
29*	VITE	ACCIAIO INOX AISI 304	SCREW	AISI 304
30*	CAVO DI ALIMENTAZIONE	H07RNF	CABLE ALIMENTATION	H07RNF

N.CODE	DESCRIPTION (Français)	MATÉRIEL (Français)	DESCRIPCIÓN (Español)	MATERIAL (Español)
1	STATOR BOBINE'	MATERIEL MAGNETIQUE	STATOR BOBINADO	MATERIAL MAGNETICO
2	CHEMISE MOTEUR	ACIER INOXYDABLE AISI 304	CAMISA MOTOR	ACERO INOXYDABLE AISI 304
3	N.4 VIS POUR CHEMISE	ACIER INOXYDABLE AISI 304	N.4 TORNILLOS CAMISA	ACERO INOXYDABLE AISI 304
4	MEMBRANE	CAOUTCHOUC	PULMON	GOMA
5	PROTECTION MEMBRANE	ACIER INOXYDABLE AISI 304	PROTECTION PULMON	ACERO INOXYDABLE AISI 304
6	SEEGER	ACIER INOXYDABLE AISI 304	SEEGER	ACERO INOXYDABLE AISI 304
7	DEFLECTEURS	CAOUTCHOUC	DEFLECTOR	GOMA
8	BAGUES D'USURE	CAOUTCHOUC	JUNTO	GOMA
9	JOINT MECANIQUE	ACIER INOXYDABLE + GRAPHITE	SELLO MECANICO	ACERO INOXYDABLE + GRAPHITE
10	COUSSINET SUPERIEURE	ACIER INOXYDABLE AISI 304	COJINETE SUPERIOR	ACERO INOXYDABLE AISI 304
11	COMPLETE ROTOR	ACIER INOXYDABLE	ROTOR COMPLETO	ACERO INOXYDABLE
12	COUSSINET INFERIEUR	ACIER INOXYDABLE AISI 304	COJINETE INFERIOR	ACERO INOXYDABLE AISI 304
13	SUPPORT INFERIEUR	FONTE	SOPORTE INFERIOR	HIERRO FUNDIDO
14	RONDELLE ONDULEE	ACIER INOXYDABLE AISI 304	RONDELA	ACERO INOXYDABLE AISI 304
15	O-RING	CAOUTCHOUC	ANILLO TORICO	GOMA
16	SUPPORT SUPERIEURE	ACIER INOXYDABLE AISI 304 / LATON	SOPORTE SUPERIOR	ACERO INOXYDABLE AISI 304 / LATON
17	N.4 TIGES	ACIER INOXYDABLE AISI 304	N.4 TORNILLOS	ACERO INOXYDABLE AISI 304
18	OIL FILL	ACIER INOXYDABLE AISI 304	TAPON RELLENAMIENTO ACEITE	ACERO INOXYDABLE AISI 304
19	N.2 VIS M4	ACIER INOXYDABLE AISI 304	N.2TRNILLOS M4	ACERO INOXYDABLE AISI 304
20	CONNECTEUR	NORYL	CONECTOR	NORYL
21	CAOUTCHOUC GLAND	CAOUTCHOUC	PRENSACABLE	GOMA
22	SUPERIEURE CONNECTEUR	H07RNF	CONECTOR	H07RNF
23	DE RELAIS METALLIQUE	ACIER INOXYDABLE AISI 304	GRAPA CONECTOR	ACERO INOXYDABLE AISI 304
24	N.2 VIS M4	ACIER INOXYDABLE AISI 304	N.2 TORNILLOS M4	ACERO INOXYDABLE AISI 304
25*	PLAQUE POUR CAOUTCHOUC	ACIER INOXYDABLE AISI 304	GRAPA PARA CAUCHO	ACERO INOXYDABLE AISI 304
26*	GLAND CAOUTCHOUC	CAOUTCHOUC	PRENSACABLE EN CAUCHO	GOMA
27*	GLAND	POM	PRENSACABLE	POM
28*	GLAND PLAQUE	ACIER INOXYDABLE AISI 304	GRAPA PRENSACABLE	ACERO INOXYDABLE AISI 304
29*	VIS	ACIER INOXYDABLE AISI 304	TORNILLO	ACERO INOXYDABLE AISI 304
30*	CABLE D'ALIMENTATION	H07RNF	CABLE DE POTENCIA	H07RNF



THE DETAILS MARKED BY THE ASTERISK(*) ARE PRESENT ONLY IN THE MOTOR 4 " WITH SUPERIOR SUPPORT IN BRASS LES PIECES MARQUEES AVEC (*) SONT DANS LES MOTEURS 4" AVEC SUPPORT SUPERIEUR EN LATON
 LAS PIEZAS MARQUADAS (*) SE REFIREREN SOLO AL MOTOR CON SOPORTE SUPERIOR EN LATON

SPARE PARTS OF 4" REWINDABLE OIL FILLED SUBMERSIBLE MOTOR



WITH SUPERIOR SUPPORT IN BRASS

SPARE PARTS OF 4" REWINDABLE OIL FILLED SUBMERSIBLE MOTOR

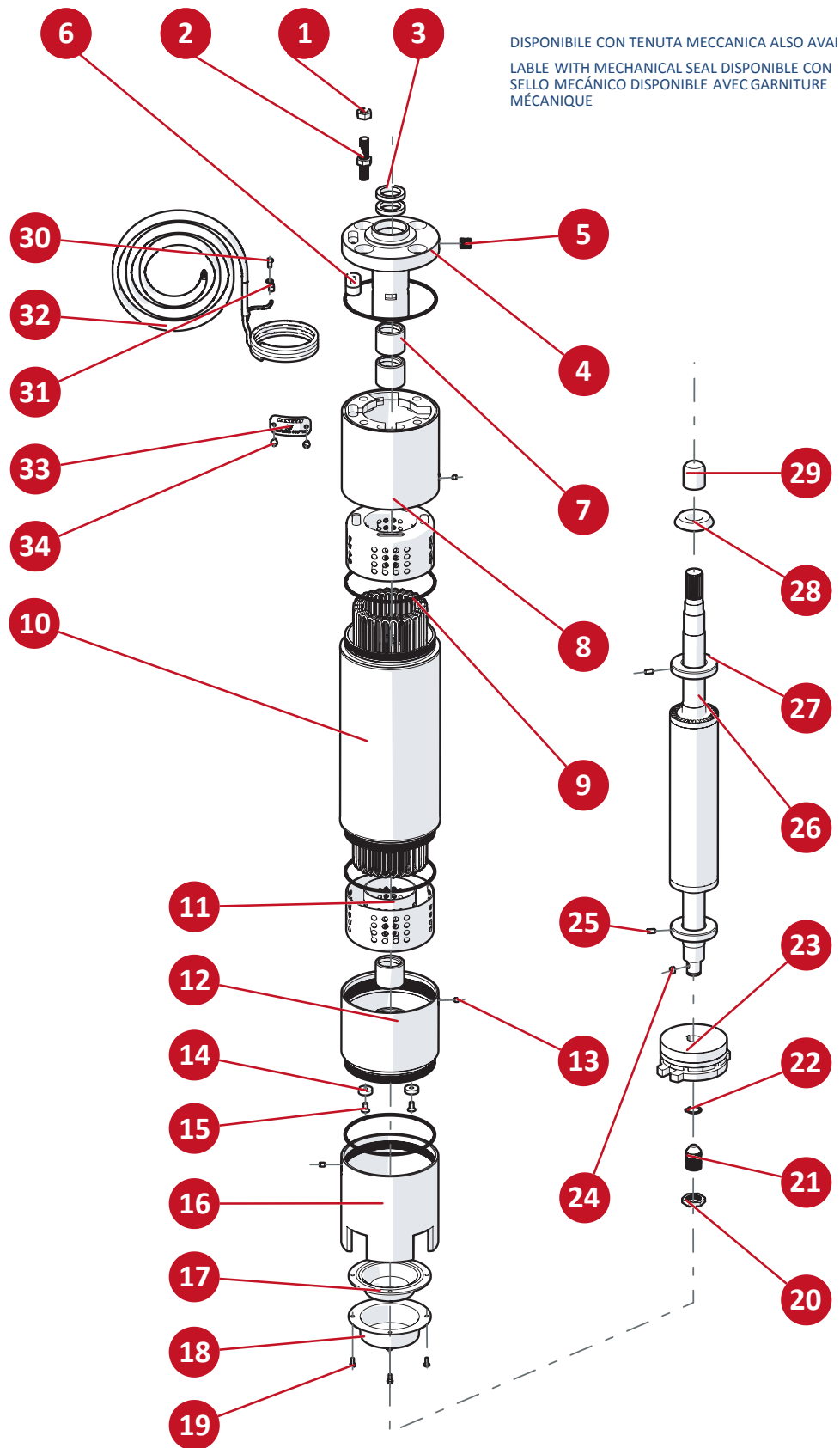
MOTOR 4" OIL FILLED				
N.CODE	DESCRIZIONE (Italiano)	MATERIALE (Italiano)	DESCRIPTION (English)	MATERIAL(English)
1	STATORE COMPLETO + AVVOLGIMENTO	LAMIERINO MAGNETICO + AVVOLGIMENTO	COMPLETE STATOR	MAGNETIC LAMINATION + WINDING
2	CAMICIA MOTORE	ACCIAIO INOX AISI 304	MOTOR SLEEVE	AISI 304
3	N.4 VITI PER CAMICIA	ACCIAIO INOX AISI 304	N.4 SCREW FOR SLEEVE	AISI 304
4	POLMONE	GOMMA	DIAPHRAM	NBR
5	COVER COPRIPOLMONE	ACCIAIO INOX AISI 304	COVER DIAPHRAM	AISI 304
6	SEEGER	ACCIAIO INOX AISI 304	SEEGER	AISI 304
7	DEFLETTORE	GOMMA	DEFLECTOR	NBR
8	ANELLO DI TENUTA/CORTECO	GOMMA	SEAL RINGS	NBR
9	TENUTA MECCANICA	ACCIAIO INOX+GRAFITE	MECHANICAL SEAL	AISI+ GRAPHITE
10	CUSCINETTO SUPERIORE	ACCIAIO INOX AISI 304	UPPER BEARING	AISI 304
11	ROTORE COMPLETO	ACCIAIO INOX	COMPLETE ROTOR	AISI
12	CUSCINETTO INFERIORE	ACCIAIO INOX AISI 304	LOWER BEARING	AISI 304
13	SUPPORTO INFERIORE	GHISA	LOWER SUPPORT	CAST IRON
14	RONDELLA ONDULATA	ACCIAIO INOX AISI 304	ONDULATED WASHER	AISI 304
15	O-RING	GOMMA	O-RING	NBR
16	SUPPORTO SUPERIORE	ACCIAIO INOX AISI 304 / OTTONE	UPPER SUPPORT	AISI 304 / BRASS
17	N.4 PRIGIONIERI	ACCIAIO INOX AISI 304	N.4 STUDS	AISI 304
18	TAPPO RIMEPIAMENTO OLIO	ACCIAIO INOX AISI 304	CAP OIL FILL	AISI 304
19	N.2VITI M4	ACCIAIO INOX AISI 304	N.2 SCREW M4	AISI 304
20	CONNETTORE MASCHIO	NORYL	CONNECTOR	NORYL
21	GOMMA PRESSACAVO	GOMMA	RUBBER CABLE GLAND	NBR
22	CONNETTORE FEMMINA	H07RNF	UPPER CONNECTOR	H07RNF
23	PIATTINA PER CONNETTORE	ACCIAIO INOX AISI 304	BRACKET METALLIC	AISI 304
24	N.2VITI M4	ACCIAIO INOX AISI 304	N.2 SCREW M4	AISI 304
25*	PIATTINA PER GOMMINO	ACCIAIO INOX AISI 304	PLATE FOR RUBBER PIECE	AISI 304
26*	GOMMINO PRESSACO	GOMMA	GLAND RUBBER	NBR
27*	PRESSACAVO	POM	GLAND	POM
28*	PIATTINA PRESSACAVO	ACCIAIO INOX AISI 304	GLAND PLATE	AISI 304
29*	VITE	ACCIAIO INOX AISI 304	SCREW	AISI 304
30*	CAVO DI ALIMENTAZIONE	H07RNF	CABLE ALIMENTATION	H07RNF

N.CODE	DESCRIPTION (Français)	MATÉRIEL (Français)	DESCRIPCIÓN (Español)	MATERIAL (Español)
1	STATOR BOBINE	MATERIEL MAGNETIQUE	STATOR BOBINADO	MATERIAL MAGNETICO
2	CHEMISE MOTEUR	ACIER INOXYDABLE AISI 304	CAMISA MOTOR	ACERO INOXYDABLE AISI 304
3	N.4 VIS POUR CHEMISE	ACIER INOXYDABLE AISI 304	N.4 TORNILLOS CAMISA	ACERO INOXYDABLE AISI 304
4	MEMBRANE	CAOUTCHOUC	PULMON	GOMA
5	PROTECTION MEMBRANE	ACIER INOXYDABLE AISI 304	PROTECTION PULMON	ACERO INOXYDABLE AISI 304
6	SEEGER	ACIER INOXYDABLE AISI 304	SEEGER	ACERO INOXYDABLE AISI 304
7	DEFLECTEURS	CAOUTCHOUC	DEFLECTOR	GOMA
8	BAGUES D'USURE	CAOUTCHOUC	JUNTO	GOMA
9	JOINT MECANIQUE	ACIER INOXYDABLE + GRAPHITE	SELLO MECANICO	ACERO INOXYDABLE + GRAPHITE
10	COUSSINET SUPERIEURE	ACIER INOXYDABLE AISI 304	COJINETE SUPERIOR	ACERO INOXYDABLE AISI 304
11	COMPLETE ROTOR	ACIER INOXYDABLE	ROTOR COMPLETO	ACERO INOXYDABLE
12	COUSSINET INFERIEUR	ACIER INOXYDABLE AISI 304	COJINETE INFERIOR	ACERO INOXYDABLE AISI 304
13	SUPPORT INFERIEUR	FONTE	SOPORTE INFERIOR	HIERRO FUNDIDO
14	RONDELLE ONDULEE	ACIER INOXYDABLE AISI 304	RONDELA	ACERO INOXYDABLE AISI 304
15	O-RING	CAOUTCHOUC	ANILLO TORICO	GOMA
16	SUPPORT SUPERIEURE	ACIER INOXYDABLE AISI 304 / LATON	SOPORTE SUPERIOR	ACERO INOXYDABLE AISI 304 / LATON
17	N.4 TIGES	ACIER INOXYDABLE AISI 304	N.4 TORNILLOS	ACERO INOXYDABLE AISI 304
18	OIL FILL	ACIER INOXYDABLE AISI 304	TAPON RELLENAMIENTO ACEITE	ACERO INOXYDABLE AISI 304
19	N.2 VIS M4	ACIER INOXYDABLE AISI 304	N.2TRNILLOS M4	ACERO INOXYDABLE AISI 304
20	CONNECTEUR	NORYL	CONECTOR	NORYL
21	CAOUTCHOUC GLAND	CAOUTCHOUC	PRENSACABLE	GOMA
22	SUPERIEURE CONNECTEUR	H07RNF	CONECTOR	H07RNF
23	DE RELAIS METALLIQUE	ACIER INOXYDABLE AISI 304	GRAPA CONECTOR	ACERO INOXYDABLE AISI 304
24	N.2 VIS M4	ACIER INOXYDABLE AISI 304	N.2 TORNILLOS M4	ACERO INOXYDABLE AISI 304
25*	PLAQUE POUR CAOUTCHOUC	ACIER INOXYDABLE AISI 304	GRAPA PARA CAUCHO	ACERO INOXYDABLE AISI 304
26*	GLAND CAOUTCHOUC	CAOUTCHOUC	PRENSACABLE EN CAUCHO	GOMA
27*	GLAND	POM	PRENSACABLE	POM
28*	GLAND PLAQUE	ACIER INOXYDABLE AISI 304	GRAPA PRENSACABLE	ACERO INOXYDABLE AISI 304
29*	VIS	ACIER INOXYDABLE AISI 304	TORNILLO	ACERO INOXYDABLE AISI 304
30*	CABLE D'ALIMENTATION	H07RNF	CABLE DE POTENCIA	H07RNF



I PARTICOLARI CONTRADDISTINTI DALL'ASTERISCO(*) SONO PRESENTI SOLO NEL MOTORE 4" CON SUPPORTO SUPERIORE IN OTTONE
 THE DETAILS MARKED BY THE ASTERISK(*) ARE PRESENT ONLY IN THE MOTOR 4 " WITH SUPERIOR SUPPORT IN BRASS LES PIECES
 MARQUEES AVEC (*) SONT DANS LES MOTEURS 4" AVEC SUPPORT SUPERIEUR EN LATON
 LAS PIEZAS MARQUADAS (*) SE REFIREREN SOLO AL MOTOR CON SOPORTE SUPERIOR EN LATON

SPARE PARTS OF 6", 8", 10" REWINDABLE WATER FILLED SUBMERSIBLE MOTOR



DISPONIBILE CON TENUTA MECCANICA ALSO AVAILABLE WITH MECHANICAL SEAL
 DISPONIBILE CON SELLO MECÁNICO DISPONIBILE AVEC GARNITURE MÉCANIQUE

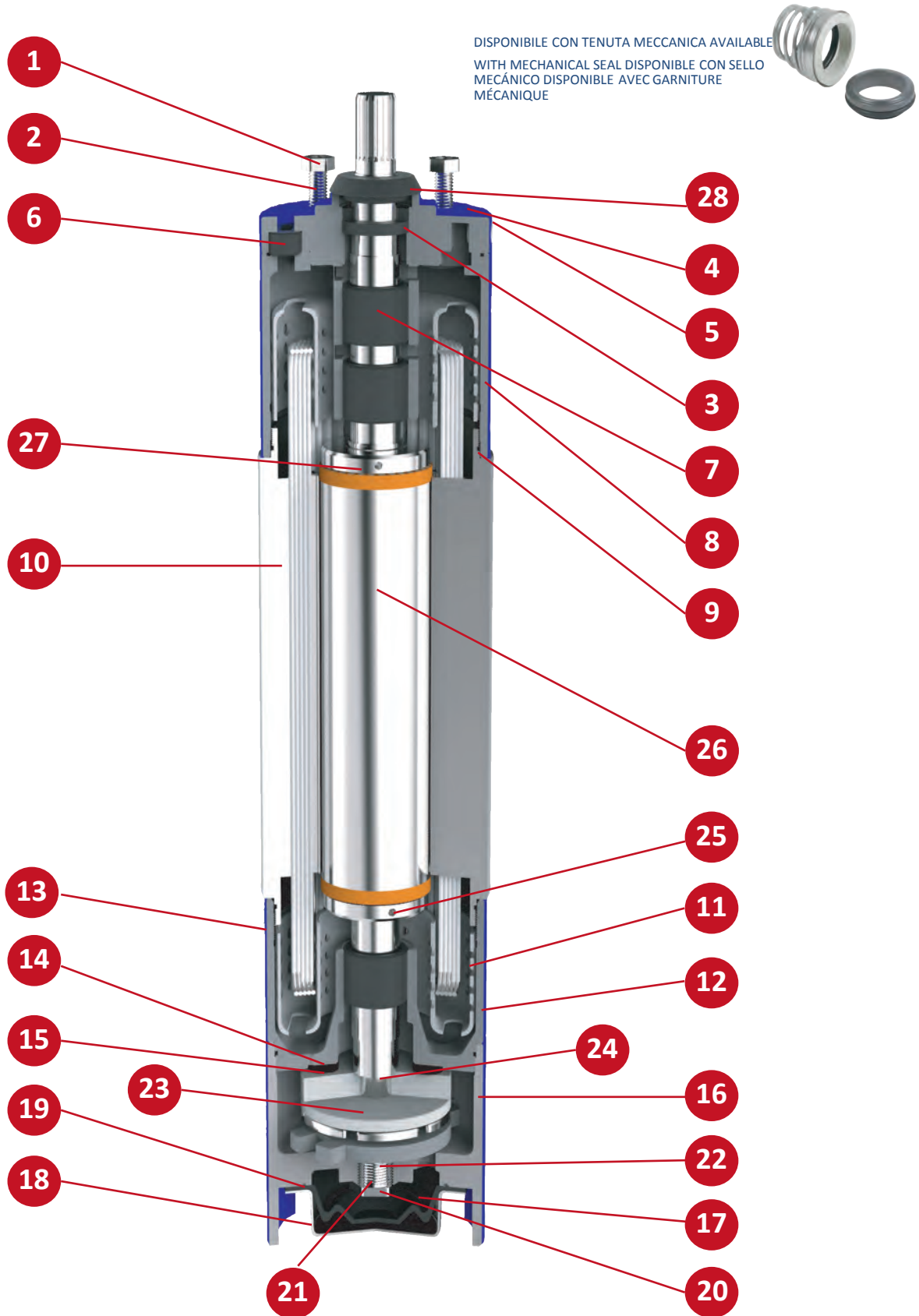


SPARE PARTS OF 6", 8", 10" REWINDABLE WATER FILLED SUBMERSIBLE MOTOR

MOTORI 6"/8"/10" A BAGNO D'ACQUA - 6"/8"/10" WATER FILLED MOTORS				
N.CODE	DESCRIZIONE (ITALIANO)	MATERIALE	DESCRIPTION (ENGLISH)	MATERIAL
1	N.4 DADI	ACCIAIO INOX AISI 304	N.4 NUTS	AISI 304
2	N.4 PRIGIONIERI	ACCIAIO INOX AISI 304	N.4 STUDS	AISI 304
3	N.2 ANELLI DI TENUTA	GOMMA	N.2 SEAL RINGS	NBR
4	SUPPORTO SUPERIORE	GHISA	UPPER SUPPORT	CAST IRON
5	N. 2 GRANI	ACCIAIO INOX AISI 304	N.2 GRAINS	AISI 304
6	PRESSACAVO	GOMMA	GROMMET	NBR
7	N.3 BRONZINE	GRAFITE	N.3 BEARINGS	GRAPHITE
8	TESTATA SUPERIORE CARCASSA	GHISA	MOTOR CASING	CAST IRON
9	N.4 O-RING	GOMMA	N.4 O-RING	NBR
10	STATORE COMPLETO + AVVOLGIMENTO	LAMIERINO MAGNETICO+AVVOLGIMENTO	COMPLETE STATOR	MAGNETIC LAMINATION + WINDING
11	N.2 COVER PROTEZIONE AVVOLGIMENTO	POM	N.2 COVERS WINDING PROTECTION	POM
12	SUPPORTO INFERIORE	GHISA	LOWER SUPPORT	CAST IRON
13	N.3 GRANI	ACCIAIO INOX AISI 304	N.3 SCREW	AISI 304
14	N.2 ANELLI CONTROSOSPENSIONE	TEFLON	N.2 DISKS CONTROSUSPENTION	TEFLON
15	N.2 VITI M4 PER CONTROSOSPENSIONE	ACCIAIO INOX AISI 304	N.2 SCREWS FOR CONTROSUSPENTION	AISI 304
16	BASE MOTORE	GHISA	BASE MOTOR	CAST IRON
17	POLMONE	GOMMA	DIAPHRAM	NBR
18	COVER COPRIPOLMONE	ACCIAIO INOX AISI 304	COVER DIAPHRAM	AISI 304
19	N.4 VITI PER COVER COPRIPOLMONE	ACCIAIO INOX AISI 304	N.4 SCREW FOR COVER DIAPHRAM	AISI 304
20	DADO BASSO	ACCIAIO INOX AISI 304	NUT	AISI 304
21	GRANO	ACCIAIO INOX AISI 304	SCREW	AISI 304
22	SEEGER	ACCIAIO INOX AISI 304	SEEGER	AISI 304
23	SOSPENSIONE COMPLETA	ACCIAIO+GRAFITE	TRUST BEARING	AISI + GRAPHITE
24	CHIAVETTA	ACCIAIO INOX AISI 304	KEY	AISI 304
25	N.2 GRANO EQUILBRATORE	ACCIAIO INOX AISI 304	N.2 GRAINS FOR STABILIZER	AISI 304
26	ROTORE COMPLETO	ACCIAIO	COMPLETE ROTOR	AISI
27	N.2 EQUILBRATORI	ACCIAIO	N.2 STABILIZERS	AISI
28	DEFLETTORE	GOMMA	DEFLECTOR	NBR
29	PROTEZIONE MILLERIGHE	GOMMA	PROTECTION SHAFT	NBR
30	VITE PER CAPOCORDA	ACCIAIO INOX AISI 304	SCREW FOR CABLE CLAMPS	AISI 304
31	CAPOCORDA	PLASTICA	CABLE CLAMPS	PLASTIC
32	CAVO PIATTO ALIMENTAZIONE	H07 RNF	CABLE	H07 RNF
33	ETICHETTA METALLICA	ACCIAIO INOX AISI 304	METALLIC LABELS	AISI 304
34	N.2 VITI PER ETICHETTA METALLICA	ACCIAIO INOX AISI 304	N.2 SCREW FOR METALLIC LABELS	AISI 304

N.CODE	DESCRIPTION (FRANCAIS)	MATERIEL	DESCRIPTION (ESPAÑOL)	MATERIAL
1	N.4 ECROUX	ACIER INOXYDABLE AISI 304	N.4 TUERCAS	ACERO INOXYDABLE AISI 304
2	N.4 TIGES	ACIER INOXYDABLE AISI 304	N.4 TORNILLOS	ACERO INOXYDABLE AISI 304
3	N.2 BAGUES D'USURE	CAOUTCHOUC	N.2 JUNTAS	GOMA
4	SUPPORT SUPERIEURE	FORTE	SOPORTE SUPERIOR	HIERRO FUNDIDO
5	N.2 VIS	ACIER INOXYDABLE AISI 304	N.2 TORNILLOS	ACERO INOXYDABLE AISI 304
6	PASSE-FIL	CAOUTCHOUC	PRENSACABLE	GOMA
7	N.3 COUSSINETS	GRAPHITE	N.3 COJINETES	GRAPHITE
8	CARCASSE MOTEUR	FORTE	CARCASA DEL MOTOR	HIERRO FUNDIDO
9	N.4 O-RING	CAOUTCHOUC	N.4 ANILLOS TORICOS	GOMA
10	STATOR BOBINE'	MATERIEL MAGNETIQUE	STATOR BOBINADO	MATERIEL MAGNETICO
11	N.2 PROTECTION BOBINAGE	POM	N.2 PROTECTION BOBINAJE	POM
12	SUPPORT INFERIEUR	FORTE	SOPORTE INFERIOR	HIERRO FUNDIDO
13	N.3 VIS	ACIER INOXYDABLE AISI 304	N.3 TORNILLOS	ACERO INOXYDABLE AISI 304
14	N.2 DISQUES CONTRE SUSPENTION	TEFLON	N.2 ANILLOS CONTRA SUSPENCION	TEFLON
15	N.2 VIS POUR CONTRE SUSPENTION	ACIER INOXYDABLE AISI 304	N.2 TORNILLOS M4 CONTRA SUSPENCION	ACERO INOXYDABLE AISI 304
16	BASE MOTEUR	FORTE	BASE MOTOR	HIERRO FUNDIDO
17	MEMBRANE	CAOUTCHOUC	PULMON	GOMA
18	PROTECTION MEMBRANE	ACIER INOXYDABLE AISI 304	PROTECTION PULMON	ACERO INOXYDABLE AISI 304
19	N.4 VIS POUR PROTECTION MEMBRANE	ACIER INOXYDABLE AISI 304	N.4 TORNILLOS PROTECTION PULMON	ACERO INOXYDABLE AISI 304
20	ECROU	ACIER INOXYDABLE AISI 304	TUERCA	ACERO INOXYDABLE AISI 304
21	VIS	ACIER INOXYDABLE AISI 304	TORNILLO	ACERO INOXYDABLE AISI 304
22	SEEGER	ACIER INOXYDABLE AISI 304	SEEGER	ACERO INOXYDABLE AISI 304
23	GROUP DE SUSPENSION	ACIER+GRAPHITE	GRUPO DE SUSPENCION	ACERO+GRAPHITE
24	CLAVETTE	ACIER INOXYDABLE AISI 304	CHAVETA	ACERO INOXYDABLE AISI 304
25	N.2 VIS POUR EQUILBRATEUR	ACIER INOXYDABLE AISI 304	N.2 TORNILLOS EQUILIBRADOR	ACERO INOXYDABLE AISI 304
26	COMPLETE ROTOR	ACIER	ROTOR COMPLETO	ACERO
27	N.2 EQUILBRATEURS	ACIER	N.2 EQUILIBRADORES	ACERO
28	DEFLECTEURS	CAOUTCHOUC	DEFLECTOR	GOMA
29	PROTECTION ARBRE	CAOUTCHOUC	PROTECTION ACOPLAMIENTO	GOMA
30	VIS POUR FIXATION DU CABLE	ACIER INOXYDABLE AISI 304	TORNILLO POR FIXACION CABLE	ACERO INOXYDABLE AISI 304
31	FIXATION DU CABLE	PLATIQUE	FIXACION CABLE	PLATICO
32	CABLE	H07 RNF	CABLE	H07 RNF
33	ETIQUETTE METALLIQUE	ACIER INOXYDABLE AISI 304	PLACA METALLICA	ACERO INOXYDABLE AISI 304
34	N.2 VIS POUR ETIQUETTE METALLIQUE	ACIER INOXYDABLE AISI 304	N.2 TORNILLOS POR PLACA METALLICA	ACERO INOXYDABLE AISI 304

SPARE PARTS OF 6", 8", 10" REWINDABLE WATER FILLED SUBMERSIBLE MOTOR



SPARE PARTS OF 6", 8", 10" REWINDABLE WATER FILLED SUBMERSIBLE MOTOR

MOTORI 6"/8"/10" A BAGNO D'ACQUA - 6"/8"/10" WATER FILLED MOTORS				
N.CODE	DESCRIZIONE (ITALIANO)	MATERIALE	DESCRIPTION (ENGLISH)	MATERIAL
1	N.4 DADI	ACCIAIO INOX AISI 304	N.4 NUTS	AISI 304
2	N.4 PRIGIONIERI	ACCIAIO INOX AISI 304	N.4 STUDS	AISI 304
3	N.2 ANELLI DI TENUTA	GOMMA	N.2 SEAL RINGS	NBR
4	SUPPORTO SUPERIORE	GHISA	UPPER SUPPORT	CAST IRON
5	N. 2 GRANI	ACCIAIO INOX AISI 304	N.2 GRAINS	AISI 304
6	PRESSACAVO	GOMMA	GROMMET	NBR
7	N.3 BRONZINE	GRAFITE	N.3 BEARINGS	GRAPHITE
8	TESTATA SUPERIORE CARCASSA	GHISA	MOTOR CASING	CAST IRON
9	N.4 O-RING	GOMMA	N.4 O-RING	NBR
10	STATORE COMPLETO + AVVOLGIMENTO	LAMIERINO MAGNETICO+AVVOLGIMENTO	COMPLETE STATOR	MAGNETIC LAMINATION + WINDING
11	N.2 COVER PROTEZIONE AVVOLGIMENTO	POM	N.2 COVERS WINDING PROTECTION	POM
12	SUPPORTO INFERIORE	GHISA	LOWER SUPPORT	CAST IRON
13	N.3 GRANI	ACCIAIO INOX AISI 304	N.3 SCREW	AISI 304
14	N.2 ANELLI CONTROSOSPENSIONE	TEFLON	N.2 DISKS CONTROSUSPENTION	TEFLON
15	N.2 VITI M4 PER CONTROSOSPENSIONE	ACCIAIO INOX AISI 304	N.2 SCREWS FOR CONTROSUSPENTION	AISI 304
16	BASE MOTORE	GHISA	BASE MOTOR	CAST IRON
17	POLMONE	GOMMA	DIAPHRAM	NBR
18	COVER COPRIPOLMONE	ACCIAIO INOX AISI 304	COVER DIAPHRAM	AISI 304
19	N.4 VITI PER COVER COPRIPOLMONE	ACCIAIO INOX AISI 304	N.4 SCREW FOR COVER DIAPHRAM	AISI 304
20	DADO BASSO	ACCIAIO INOX AISI 304	NUT	AISI 304
21	GRANO	ACCIAIO INOX AISI 304	SCREW	AISI 304
22	SEGER	ACCIAIO INOX AISI 304	SEGER	AISI 304
23	SOSPENSIONE COMPLETA	ACCIAIO+GRAFITE	TRUST BEARING	AISI + GRAPHITE
24	CHIAVETTA	ACCIAIO INOX AISI 304	KEY	AISI 304
25	N.2 GRANO EQUILIBRATORE	ACCIAIO INOX AISI 304	N.2 GRAINS FOR STABILIZER	AISI 304
26	ROTORE COMPLETO	ACCIAIO	COMPLETE ROTOR	AISI
27	N.2 EQUILIBRATORI	ACCIAIO	N.2 STABILIZERS	AISI
28	DEFLETTORE	GOMMA	DEFLECTOR	NBR
29	PROTEZIONE MILLERIGHE	GOMMA	PROTECTION SHAFT	NBR
30	VITE PER CAPOCORDA	ACCIAIO INOX AISI 304	SCREW FOR CABLE CLAMPS	AISI 304
31	CAPOCORDA	PLASTICA	CABLE CLAMPS	PLASTIC
32	CAVO PIATTO ALIMENTAZIONE	H07 RNF	CABLE	H07 RNF
33	ETICHETTA METALLICA	ACCIAIO INOX AISI 304	METALLIC LABELS	AISI 304
34	N.2 VITI PER ETICHETTA METALLICA	ACCIAIO INOX AISI 304	N.2 SCREW FOR METALLIC LABELS	AISI 304

N.CODE	DESCRIPTION (FRANCAIS)	MATERIEL	DESCRIPTION (ESPAÑOL)	MATERIAL
1	N.4 ECRoux	ACIER INOXYDABLE AISI 304	N.4 TUERCAS	ACERO INOXYDABLE AISI 304
2	N.4 TIGES	ACIER INOXYDABLE AISI 304	N.4 TORNILLOS	ACERO INOXYDABLE AISI 304
3	N.2 BAGUES D'USURE	CAOUTCHOUC	N.2 JUNTAS	GOMA
4	SUPPORT SUPERIEUR	FONTE	SOPORTE SUPERIOR	HIERRO FUNDIDO
5	N.2 VIS	ACIER INOXYDABLE AISI 304	N.2 TORNILLOS	ACERO INOXYDABLE AISI 304
6	PASSE-FIL	CAOUTCHOUC	PRENSACABLE	GOMA
7	N.3 COUSSINETS	GRAPHITE	N.3 COJINETES	GRAPHITE
8	CARCASSE MOTEUR	FONTE	CARCASA DEL MOTOR	HIERRO FUNDIDO
9	N.4 O-RING	CAOUTCHOUC	N.4 ANILLOS TORICOS	GOMA
10	STATOR BOBINE	MATEIRIEL MAGNETIQUE	STATOR BOBINADO	MATEIRIAL MAGNETICO
11	N.2 PROTECTION BOBINAGE	POM	N.2 PROTECTION BOBINAJE	POM
12	SUPPORT INFERIEUR	FONTE	SOPORTE INFERIOR	HIERRO FUNDIDO
13	N.3 VIS	ACIER INOXYDABLE AISI 304	N.3 TORNILLOS	ACERO INOXYDABLE AISI 304
14	N.2 DISQUES CONTRE SUSPENTION	TEFLON	N.2 ANILLOS CONTRA SUSPENCION	TEFLON
15	N.2 VIS POUR CONTRE SUSPENTION	ACIER INOXYDABLE AISI 304	N.2 TORNILLOS M4 CONTRA SUSPENCION	ACERO INOXYDABLE AISI 304
16	BASE MOTEUR	FONTE	BASE MOTOR	HIERRO FUNDIDO
17	MEMBRANE	CAOUTCHOUC	PULMON	GOMA
18	PROTECTION MEMBRANE	ACIER INOXYDABLE AISI 304	PROTECTION PULMON	ACERO INOXYDABLE AISI 304
19	N.4 VIS POUR PROTECTION MEMBRANE	ACIER INOXYDABLE AISI 304	N.4 TORNILLOS PROTECTION PULMON	ACERO INOXYDABLE AISI 304
20	ECROU	ACIER INOXYDABLE AISI 304	TUERCA	ACERO INOXYDABLE AISI 304
21	VIS	ACIER INOXYDABLE AISI 304	TORNILLO	ACERO INOXYDABLE AISI 304
22	SEGER	ACIER INOXYDABLE AISI 304	SEGER	ACERO INOXYDABLE AISI 304
23	GROUP DE SUSPENSION	ACIER+GRAPHITE	GRUPO DE SUSPENCION	ACERO+GRAPHITE
24	CLAVETTE	ACIER INOXYDABLE AISI 304	CHAVETA	ACERO INOXYDABLE AISI 304
25	N.2 VIS POUR EQUILIBRATEUR	ACIER INOXYDABLE AISI 304	N.2 TORNILLOS EQUILIBRADOR	ACERO INOXYDABLE AISI 304
26	COMPLETE ROTOR	ACIER	ROTOR COMPLETO	ACERO
27	N.2 EQUILIBRATEURS	ACIER	N.2 EQUILIBRADORES	ACERO
28	DEFLECTEURS	CAOUTCHOUC	DEFLECTOR	GOMA
29	PROTECTION ARBRE	CAOUTCHOUC	PROTECTION ACOPLAMIENTO	GOMA
30	VIS POUR FIXATION DU CABLE	ACIER INOXYDABLE AISI 304	TORNILLO POR FIXACION CABLE	ACERO INOXYDABLE AISI 304
31	FIXATION DU CABLE	PLATIQUE	FIXACION CABLE	PLATICO
32	CABLE	H07 RNF	CABLE	H07 RNF
33	ETIQUETTE METALLIQUE	ACIER INOXYDABLE AISI 304	PLACA METALICA	ACERO INOXYDABLE AISI 304
34	N.2 VIS POUR ETIQUETTE METALLIQUE	ACIER INOXYDABLE AISI 304	N.2 TORNILLOS POR PLACA METALICA	ACERO INOXYDABLE AISI 304