



6" Water Filled Submersible Motors Canned Type

Made in Taiwan



Catalogo 50/60 Hz

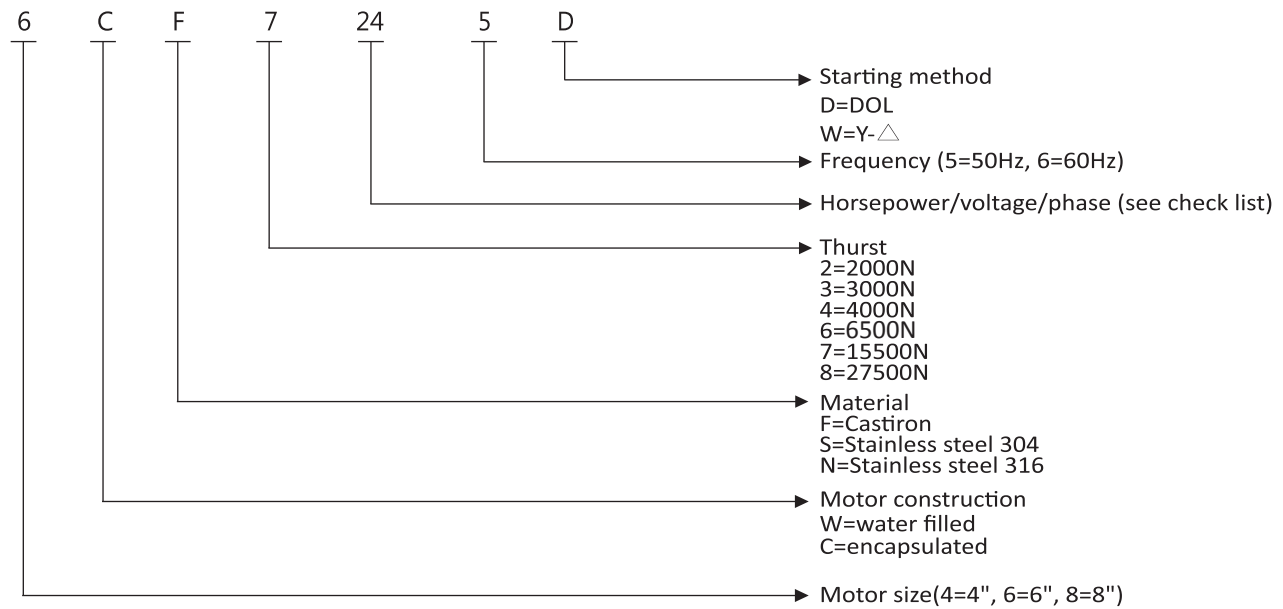
6" Encapsulated Hermetical Sealed Canned Motors

Sistema's Encapsulated Hermetically Canned Submersible Motor is developed with market expectation to meet robust construction and stringent requirement for Deep Well application both 4 & 6" encapsulated motors, manufactured in ISO 9001 for dependable operation in 6" diameter or larger water wells.

Water lubricated thrust and radial bearings enable a maintenance free operation.

A Reinforced netted Nylon diaphragm ensures pressure compensation inside the motor. Carbon ceramic seal system is standard.

Model code



Product Advantages

- Hermetically Canned sealed stator, anti track, stator resin prevents motor burn out
- Removable lead connector
- Cable material according to drinking water regulations (VDE / approved)
- Motor with Carbon ceramic-Mechanical Seal and Sand Slinger silicon carbide are available upon request
- High efficiency electrical design for low operation cost
- 100% inspection and testing of all motors prior to delivery
- Max. storage temperature -12°C - + 62°C

Technical Specifications

- 6" 50Hz 3 ϕ 5.5-50HP(4kW-37kW)
- 6" 60Hz 3 ϕ 5-50HP(3.7kW-37kW)
- 6" NEMA Flange
- Protection: IP 68
- Starts per hour: 20
- Installation: vertical/horizontal(with a tilt angle >5 ° towards the DE)
- Motor protection: thermal overloads switch
- Insulation: Class F
- Rated ambient temperature: 4 - 37kW, 5-50HP up to 30°C
- Cooling low: min. 0.16 m/s
- Motor lead in 6" 4m length (VDE / approved)

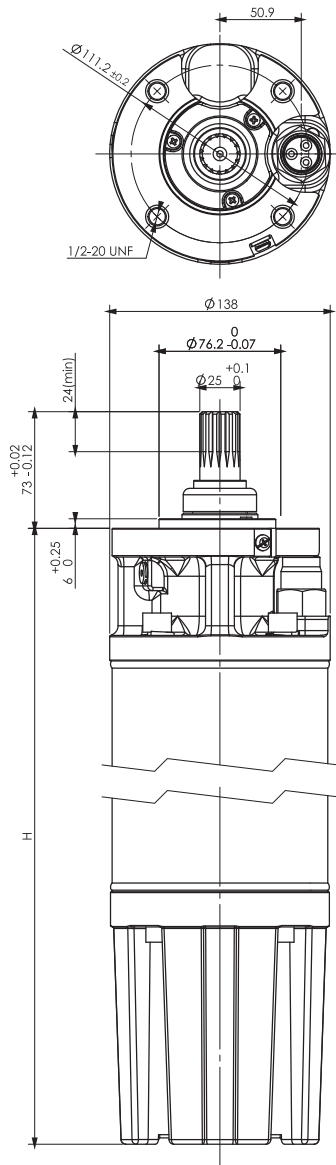
Options

- Other voltages
- Y Δ - start
- Motors complete in 304SS

Standard Voltage			
6"	50Hz	3 ϕ	220-240V
			380-415V
	60Hz	3 ϕ	220-230V
			380-400V
			460V

Dimensions

6"Encapsulated Hermetical Sealed Canned Motors



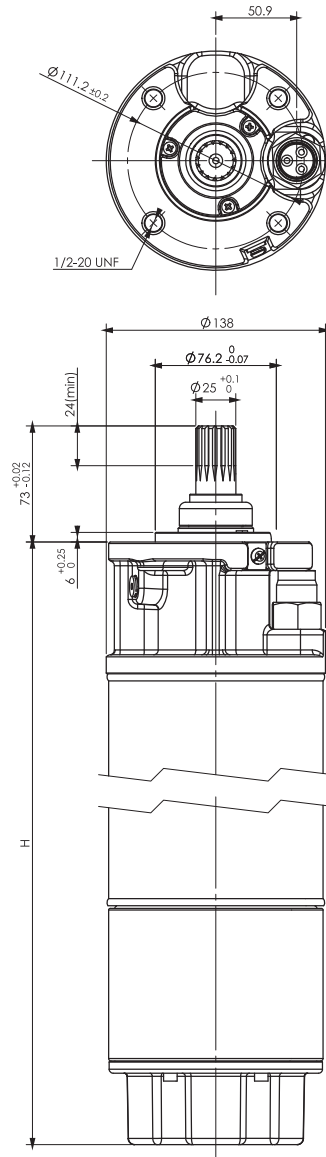
(50Hz)

HP	kw	H(mm)
5.5HP	4.0	582
7.5HP	5.5	627
10HP	7.5	662
15HP	11	727
20HP	15	787
25HP	18.5	857
30HP	22	907
40HP	30	1047
50HP	37	1417

(60Hz)

HP	kw	H(mm)
5HP	3.7	582
7.5HP	5.5	627
10HP	7.5	662
15HP	11	727
20HP	15	787
25HP	18.5	857
30HP	22	907
40HP	30	1047
50HP	37	1417

6"Encapsulated Hermetical Sealed Canned Motors(304 SS)



(50Hz)

HP	kw	H(mm)
5.5HP	4.0	582
7.5HP	5.5	627
10HP	7.5	662
15HP	11	727
20HP	15	787
25HP	18.5	857
30HP	22	907
40HP	30	1047
50HP	37	1417

(60Hz)

HP	kw	H(mm)
5HP	3.7	582
7.5HP	5.5	627
10HP	7.5	662
15HP	11	727
20HP	15	787
25HP	18.5	857
30HP	22	907
40HP	30	1047
50HP	37	1417

Specifications

6" Encapsulated Hermetical Sealed Canned Motors

50HZ Three Phase, DOL 220-240V

MODEL	Frequency	Phase	Voltage	POWER		Cable	Remark	Thrust (N)	Amps
				HP	KW	M			
6CF6205D	50HZ	3 ϕ	220~240	5.5	4.0	4	One Cable Only (DOL)	6500N	16.4
6CF6215D	50HZ	3 ϕ	220~240	7.5	5.5	4	One Cable Only (DOL)	6500N	21.9
6CF7225D	50HZ	3 ϕ	220~240	10	7.5	4	One Cable Only (DOL)	15500N	28.5
6CF7245D	50HZ	3 ϕ	220~240	15	11.0	4	One Cable Only (DOL)	15500N	41.8
6CF7265D	50HZ	3 ϕ	220~240	20	15.0	4	One Cable Only (DOL)	15500N	55.3
6CF7275D	50HZ	3 ϕ	220~240	25	18.5	4	One Cable Only (DOL)	15500N	69.1
6CF7285D	50HZ	3 ϕ	220~240	30	22.0	4	One Cable Only (DOL)	15500N	82.9

6" Encapsulated Hermetical Sealed Canned Motors

50HZ Three Phase, DOL 380-415V

MODEL	Frequency	Phase	Voltage	POWER		Cable	Remark	Thrust (N)	Amps
				HP	KW	M			
6CF6405D	50HZ	3 ϕ	380~415	5.5	4.0	4	One Cable Only (DOL)	6500N	9.5
6CF6415D	50HZ	3 ϕ	380~415	7.5	5.5	4	One Cable Only (DOL)	6500N	12.7
6CF7425D	50HZ	3 ϕ	380~415	10	7.5	4	One Cable Only (DOL)	15500N	16.5
6CF7445D	50HZ	3 ϕ	380~415	15	11.0	4	One Cable Only (DOL)	15500N	24.2
6CF7465D	50HZ	3 ϕ	380~415	20	15.0	4	One Cable Only (DOL)	15500N	32.0
6CF7475D	50HZ	3 ϕ	380~415	25	18.5	4	One Cable Only (DOL)	15500N	40.0
6CF7485D	50HZ	3 ϕ	380~415	30	22.0	4	One Cable Only (DOL)	15500N	47.0
6CF8505D	50HZ	3 ϕ	380~415	40	30.0	4	One Cable Only (DOL)	27500N	64.1
6CF8515D	50HZ	3 ϕ	380~415	50	37.0	4	One Cable Only (DOL)	27500N	80.1

6" Encapsulated Hermetical Sealed Canned Motors

50HZ Three Phase, Y- Δ 220-240V

MODEL	Frequency	Phase	Voltage	POWER		Cable	Remark	Thrust (N)	Amps
				HP	KW	M			
6CF6205W	50HZ	3 ϕ	220~240	5.5	4.0	4	Two Cable (Y- Δ)	6500N	16.4
6CF6215W	50HZ	3 ϕ	220~240	7.5	5.5	4	Two Cable (Y- Δ)	6500N	21.9
6CF7225W	50HZ	3 ϕ	220~240	10	7.5	4	Two Cable (Y- Δ)	15500N	28.5
6CF7245W	50HZ	3 ϕ	220~240	15	11.0	4	Two Cable (Y- Δ)	15500N	41.8
6CF7265W	50HZ	3 ϕ	220~240	20	15.0	4	Two Cable (Y- Δ)	15500N	55.3
6CF7275W	50HZ	3 ϕ	220~240	25	18.5	4	Two Cable (Y- Δ)	15500N	69.1
6CF7285W	50HZ	3 ϕ	220~240	30	22.0	4	Two Cable (Y- Δ)	15500N	82.9

6" Encapsulated Hermetical Sealed Canned Motors

50HZ Three Phase, Y- Δ 380-415V

MODEL	Frequency	Phase	Voltage	POWER		Cable	Remark	Thrust (N)	Amps
				HP	KW	M			
6CF6405W	50HZ	3 ϕ	380~415	5.5	4.0	4	Two Cable (Y- Δ)	6500N	9.5
6CF6415W	50HZ	3 ϕ	380~415	7.5	5.5	4	Two Cable (Y- Δ)	6500N	12.7
6CF7425W	50HZ	3 ϕ	380~415	10	7.5	4	Two Cable (Y- Δ)	15500N	16.5
6CF7445W	50HZ	3 ϕ	380~415	15	11.0	4	Two Cable (Y- Δ)	15500N	24.2
6CF7465W	50HZ	3 ϕ	380~415	20	15.0	4	Two Cable (Y- Δ)	15500N	32.0
6CF7475W	50HZ	3 ϕ	380~415	25	18.5	4	Two Cable (Y- Δ)	15500N	40.0
6CF7485W	50HZ	3 ϕ	380~415	30	22.0	4	Two Cable (Y- Δ)	15500N	47.0
6CF8505W	50HZ	3 ϕ	380~415	40	30.0	4	Two Cable (Y- Δ)	27500N	64.1
6CF8515W	50HZ	3 ϕ	380~415	50	37.0	4	Two Cable (Y- Δ)	27500N	80.1

Specifications

6" Encapsulated Hermetical Sealed Canned Motors 60HZ Three Phase, DOL 220-230V

MODEL	Frequency	Phase	Voltage	POWER		Cable M	Remark	Thrust (N)	Amps
				HP	KW				
6CF6106D	60HZ	3 ϕ	220~230	5	3.7	4	One Cable Only (DOL)	6500N	15
6CF6116D	60HZ	3 ϕ	220~230	7.5	5.5	4	One Cable Only (DOL)	6500N	21.8
6CF7126D	60HZ	3 ϕ	220~230	10	7.5	4	One Cable Only (DOL)	15500N	28.4
6CF7136D	60HZ	3 ϕ	220~230	15	11.0	4	One Cable Only (DOL)	15500N	41.6
6CF7146D	60HZ	3 ϕ	220~230	20	15.0	4	One Cable Only (DOL)	15500N	53.8
6CF7156D	60HZ	3 ϕ	220~230	25	18.5	4	One Cable Only (DOL)	15500N	67.0
6CF7166D	60HZ	3 ϕ	220~230	30	22.0	4	One Cable Only (DOL)	15500N	79.0

6" Encapsulated Hermetical Sealed Canned Motors 60HZ Three Phase, DOL 380-400V

MODEL	Frequency	Phase	Voltage	POWER		Cable M	Remark	Thrust (N)	Amps
				HP	KW				
6CF6206D	60HZ	3 ϕ	380~400	5	3.7	4	One Cable Only (DOL)	6500N	9.1
6CF6216D	60HZ	3 ϕ	380~400	7.5	5.5	4	One Cable Only (DOL)	6500N	13.4
6CF7226D	60HZ	3 ϕ	380~400	10	7.5	4	One Cable Only (DOL)	15500N	17.6
6CF7236D	60HZ	3 ϕ	380~400	15	11.0	4	One Cable Only (DOL)	15500N	25.8
6CF7246D	60HZ	3 ϕ	380~400	20	15.0	4	One Cable Only (DOL)	15500N	33.0
6CF7256D	60HZ	3 ϕ	380~400	25	18.5	4	One Cable Only (DOL)	15500N	41.0
6CF7266D	60HZ	3 ϕ	380~400	30	22.0	4	One Cable Only (DOL)	15500N	48.8
6CF8276D	60HZ	3 ϕ	380~400	40	30.0	4	One Cable Only (DOL)	27500N	66.5
6CF8286D	60HZ	3 ϕ	380~400	50	37.0	4	One Cable Only (DOL)	27500N	82.4

6" Encapsulated Hermetical Sealed Canned Motors 60HZ Three Phase, DOL 460V

MODEL	Frequency	Phase	Voltage	POWER		Cable M	Remark	Thrust (N)	Amps
				HP	KW				
6CF6306D	60HZ	3 ϕ	460	5	3.7	4	One Cable Only (DOL)	6500N	7.5
6CF6316D	60HZ	3 ϕ	460	7.5	5.5	4	One Cable Only (DOL)	6500N	10.9
6CF7326D	60HZ	3 ϕ	460	10	7.5	4	One Cable Only (DOL)	15500N	14.2
6CF7336D	60HZ	3 ϕ	460	15	11.0	4	One Cable Only (DOL)	15500N	20.8
6CF7346D	60HZ	3 ϕ	460	20	15.0	4	One Cable Only (DOL)	15500N	26.9
6CF7356D	60HZ	3 ϕ	460	25	18.5	4	One Cable Only (DOL)	15500N	33.5
6CF7366D	60HZ	3 ϕ	460	30	22.0	4	One Cable Only (DOL)	15500N	39.5
6CF8376D	60HZ	3 ϕ	460	40	30.0	4	One Cable Only (DOL)	27500N	54.9
6CF8386D	60HZ	3 ϕ	460	50	37.0	4	One Cable Only (DOL)	27500N	68.1

6" Encapsulated Hermetical Sealed Canned Motors 60HZ Three Phase, Y- Δ 220-230V

MODEL	Frequency	Phase	Voltage	POWER		Cable M	Remark	Thrust (N)	Amps
				HP	KW				
6CF6106W	60HZ	3 ϕ	220~230	5	3.7	4	Two Cable (Y- Δ)	6500N	15
6CF6116W	60HZ	3 ϕ	220~230	7.5	5.5	4	Two Cable (Y- Δ)	6500N	21.8
6CF7126W	60HZ	3 ϕ	220~230	10	7.5	4	Two Cable (Y- Δ)	15500N	28.4
6CF7136W	60HZ	3 ϕ	220~230	15	11.0	4	Two Cable (Y- Δ)	15500N	41.6
6CF7146W	60HZ	3 ϕ	220~230	20	15.0	4	Two Cable (Y- Δ)	15500N	53.8
6CF7156W	60HZ	3 ϕ	220~230	25	18.5	4	Two Cable (Y- Δ)	15500N	67.0
6CF7166W	60HZ	3 ϕ	220~230	30	22.0	4	Two Cable (Y- Δ)	15500N	79.0

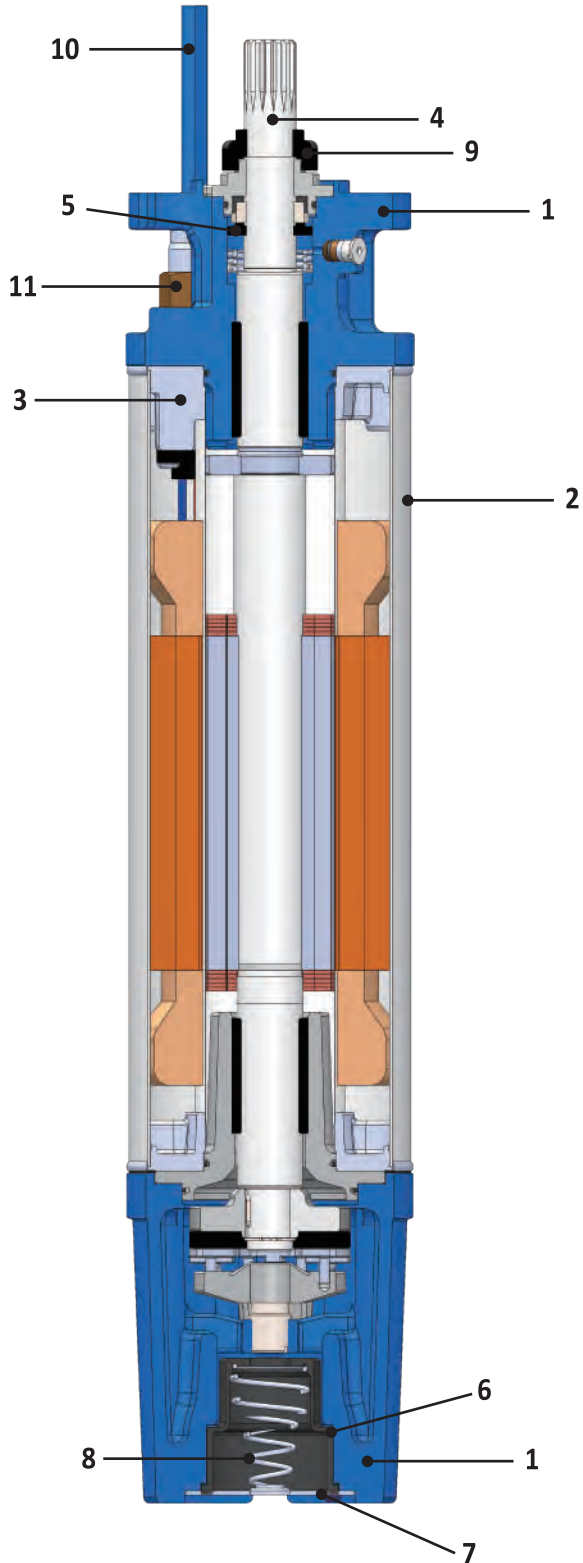
6" Encapsulated Hermetical Sealed Canned Motors 60HZ Three Phase, Y- Δ 380-400V

MODEL	Frequency	Phase	Voltage	POWER		Cable M	Remark	Thrust (N)	Amps
				HP	KW				
6CF6206W	60HZ	3 ϕ	380~400	5	3.7	4	Two Cable (Y- Δ)	6500N	9.1
6CF6216W	60HZ	3 ϕ	380~400	7.5	5.5	4	Two Cable (Y- Δ)	6500N	13.4
6CF7226W	60HZ	3 ϕ	380~400	10	7.5	4	Two Cable (Y- Δ)	15500N	17.6
6CF7236W	60HZ	3 ϕ	380~400	15	11.0	4	Two Cable (Y- Δ)	15500N	25.8
6CF7246W	60HZ	3 ϕ	380~400	20	15.0	4	Two Cable (Y- Δ)	15500N	33.0
6CF7256W	60HZ	3 ϕ	380~400	25	18.5	4	Two Cable (Y- Δ)	15500N	41.0
6CF7266W	60HZ	3 ϕ	380~400	30	22.0	4	Two Cable (Y- Δ)	15500N	48.8
6CF8276W	60HZ	3 ϕ	380~400	40	30.0	4	Two Cable (Y- Δ)	27500N	66.5
6CF8286W	60HZ	3 ϕ	380~400	50	37.0	4	Two Cable (Y- Δ)	27500N	83.5

6" Encapsulated Hermetical Sealed Canned Motors 60HZ Three Phase, Y- Δ 460V

MODEL	Frequency	Phase	Voltage	POWER		Cable M	Remark	Thrust (N)	Amps
				HP	KW				
6CF6306W	60HZ	3 ϕ	460	5	3.7	4	Two Cable (Y- Δ)	6500N	7.5
6CF6316W	60HZ	3 ϕ	460	7.5	5.5	4	Two Cable (Y- Δ)	6500N	10.9
6CF7326W	60HZ	3 ϕ	460	10	7.5	4	Two Cable (Y- Δ)	15500N	14.2
6CF7336W	60HZ	3 ϕ	460	15	11.0	4	Two Cable (Y- Δ)	15500N	20.8
6CF7346W	60HZ	3 ϕ	460	20	15.0	4	Two Cable (Y- Δ)	15500N	26.9
6CF7356W	60HZ	3 ϕ	460	25	18.5	4	Two Cable (Y- Δ)	15500N	33.5
6CF7366W	60HZ	3 ϕ	460	30	22.0	4	Two Cable (Y- Δ)	15500N	39.5
6CF8376W	60HZ	3 ϕ	460	40	30.0	4	Two Cable (Y- Δ)	27500N	54.9
6CF8386W	60HZ	3 ϕ	460	50	37.0	4	Two Cable (Y- Δ)	27500N	67.7

Components and Materials



No.	Component	Material
1	Top End Bell & Thrust Housing	Cast iron
2	Stator Shell	AISI 304
3	Stator Ends	Carbon steel
4	Shaft Extension	AISI 420
5	Shaft Mechanical Seal	Carbon ceramic
6	Diaphragm Material	NBR
7	Diaphragm Plate	AISI 304
8	Diaphragm Spring	AISI 304
9	Shaft Slinger	NBR
10	Lead Wire	XLPE
11	Lead Jam Nut	Brass
	Lead Potting	Epoxy
	Mechanical Seal / Rubber Components	NBR