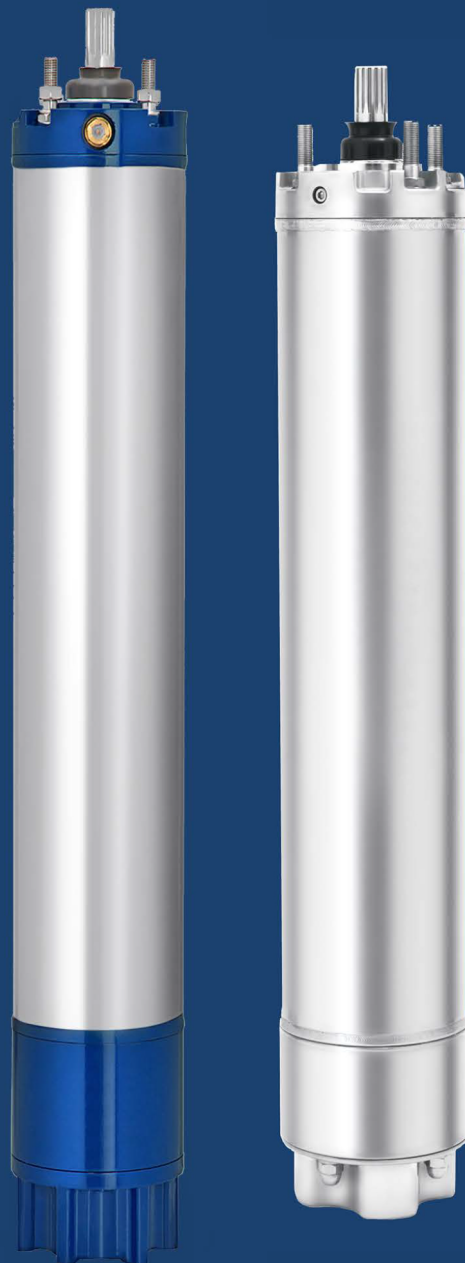




Rewindable Submersible Motors

Made in India



Catalogo 50/60 Hz

3" OIL FILLED SUBMERSIBLE MOTORS (RE-WINDABLE)

TECHNICAL SPECIFICATIONS:

3" Oil filled Motors are rewindable.

Winding wires are Enamelled dual coated.

Insulation class : B.

Degree of protection : IP58.

Max oil temperature : 35'C.

Start per hour : 30 times **(Max.)**.

Allowable voltage variation: +6% - 10%.

Motor shaft of Stainless Steel.

Stator shell of Stainless Steel.

Max depth immersion: 100M.

Mounting: Vertical/ Horizontal.

Upper/ Lower bracket in Cast Iron with Epoxy Point

Single Phase Motors are Capacitor start and run.

Motor Cable length : 3 Meter (3 Core/ earth wire separate on demand).

Coolant : Die electric non - toxic.

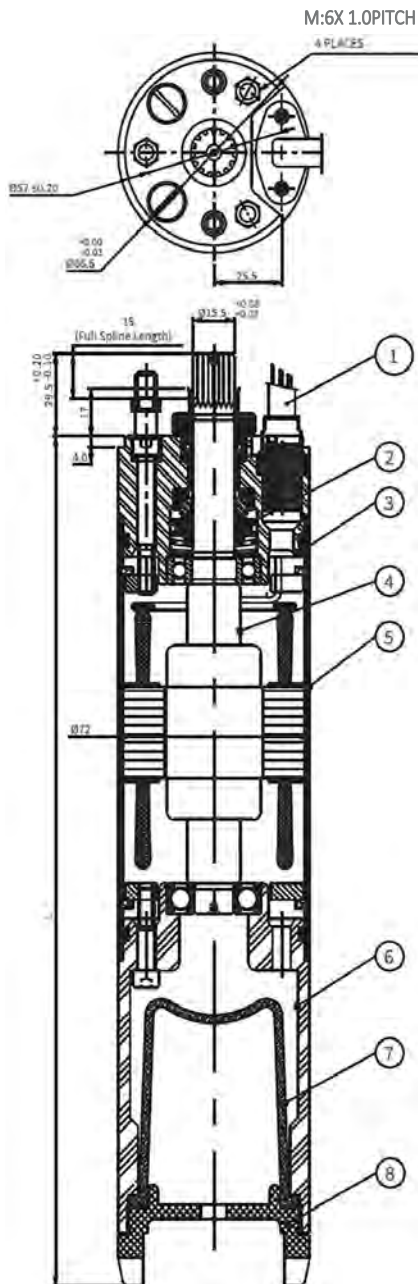
VERSIONS:

Single Phase: 0.37 kW to 1.10 kW, 220-230 Volt/ 50 Hz.

Single Phase: 0.37 kW to 1.10 kW, 230 Volt/ 60 Hz.

Motors with other Voltage and frequency ratings are available on specific demand.

3" OIL FILLED REWINDABLE MOTOR DESIGN



| SRNO. | PART'SNAME | MATERIAL |
|-------|---------------|---------------------|
| 01 | CABLE 3 CORE | EPR/P.V.C |
| 02 | MECH.SEAL | CERAMIC/CARBON |
| 03 | UPPER HOUSING | CAST IRON (F.G 200) |
| 04 | ROTOR SHAFT | S.S.420 |
| 05 | MOTOR SHELL | STAINLESS STEEL |
| 06 | LOWER HOUSING | CAST IRON (F.G 200) |
| 07 | PRESSURE CUP | N.B.R |
| 08 | MOTOR BASE | CAST IRON (F.G 200) |
| 09 | ALL HARDWARE | S.S.316/304 |

| PN | SP | MOTOR WEIGHT | MOTOR WEIGHT |
|-------------|--------|--------------|-----------------|
| [kW] [H.P.] | L [mm] | [kg] | (incl.pkg) [kg] |
| 0.37 0.50 | 373 | 7.50 | 8.50 |
| 0.55 0.75 | 398 | 8.00 | 9.00 |
| 0.75 1.00 | 423 | 8.50 | 9.50 |
| 0.94 1.25 | 448 | 9.50 | 10.5 |

| PN | TP | MOTOR WEIGHT | MOTOR WEIGHT |
|-------------|--------|--------------|-----------------|
| [kW] [H.P.] | L [mm] | [kg] | (incl.pkg) [kg] |
| 1.10 1.50 | 473 | 10.00 | 11.00 |

Performance Data of 3" Rewindable Single Phase (O/L) Motors (220-230 Volt/50 Hz) CSR

| PN | | Thrust Load [N] | UN [V] | nN [min-1] | IN [A] | IA [A] | η (Eff.) [%] at % load | | | cos φ (PF) at % load | | | TN [Nm] | TA [Nm] | Capacitor Running μF (Uc=450V) |
|--------|------|-----------------|--------|------------|--------|--------|------------------------|-----|------|----------------------|------|------|---------|---------|--------------------------------|
| [H.P.] | [kW] | | | | | | 50 | 75 | 100 | 50 | 75 | 100 | | | |
| 0.50 | 0.37 | | | | | | 1500 | 220 | 2690 | 5.00 | 6.30 | 33 | | | |
| | | 230 | 2700 | 4.80 | 6.60 | 31 | | 32 | 33 | 0.92 | 0.95 | 0.97 | 1.30 | 1.01 | |
| 0.75 | 0.55 | 1500 | 220 | 2690 | 5.40 | 8.90 | 34 | 36 | 39 | 0.92 | 0.95 | 0.96 | 1.95 | 1.35 | 30 |
| | | | 230 | 2700 | 5.20 | 9.35 | 32 | 34 | 37 | 0.91 | 0.93 | 0.94 | 1.95 | 1.48 | |
| 1.00 | 0.75 | 1500 | 220 | 2740 | 6.20 | 10.70 | 44 | 48 | 50 | 0.92 | 0.96 | 0.97 | 2.55 | 2.07 | 30 |
| | | | 230 | 2750 | 6.00 | 11.20 | 42 | 46 | 48 | 0.91 | 0.95 | 0.96 | 2.55 | 2.27 | |
| 1.50 | 1.10 | 1500 | 220 | 2740 | 6.80 | 12.40 | 50 | 51 | 55 | 0.90 | 0.92 | 0.95 | 3.83 | 2.91 | 30 |
| | | | 230 | 2750 | 6.60 | 13.00 | 48 | 49 | 53 | 0.88 | 0.90 | 0.93 | 3.83 | 3.22 | |

Performance Data of 3" Rewindable Single Phase (O/L) Motors (220-230 Volt/50 Hz) CSCR

| PN | | Thrust Load [N] | UN [V] | nN [min-1] | IN [A] | IA [A] | η (Eff.) [%] at % load | | | cos φ (PF) at % load | | | TN [Nm] | TA [Nm] | Capacitor Running μF (Uc=450V) | Capacitor Starting μF (Uc=270V) |
|--------|------|-----------------|--------|------------|--------|--------|------------------------|-----|------|----------------------|------|------|---------|---------|--------------------------------|---------------------------------|
| [H.P.] | [kW] | | | | | | 50 | 75 | 100 | 50 | 75 | 100 | | | | |
| 0.50 | 0.37 | | | | | | 1500 | 220 | 2690 | 5.00 | 6.30 | 33 | | | | |
| | | 230 | 2700 | 4.80 | 6.60 | 31 | | 32 | 33 | 0.92 | 0.95 | 0.97 | 1.30 | 2.17 | | |
| 0.75 | 0.55 | 1500 | 220 | 2690 | 5.40 | 8.90 | 34 | 36 | 39 | 0.92 | 0.95 | 0.96 | 1.95 | 2.92 | 30 | 100-120 |
| | | | 230 | 2700 | 5.20 | 9.35 | 32 | 34 | 37 | 0.91 | 0.93 | 0.94 | 1.95 | 2.92 | | |
| 1.00 | 0.75 | 1500 | 220 | 2740 | 6.20 | 10.70 | 44 | 48 | 50 | 0.92 | 0.96 | 0.97 | 2.55 | 4.18 | 30 | 100-120 |
| | | | 230 | 2750 | 6.00 | 11.20 | 42 | 46 | 48 | 0.91 | 0.95 | 0.96 | 2.55 | 4.18 | | |
| 1.50 | 1.10 | 1500 | 220 | 2740 | 6.80 | 12.40 | 50 | 51 | 55 | 0.90 | 0.92 | 0.95 | 3.83 | 6.21 | 36 | 100-120 |
| | | | 230 | 2750 | 6.60 | 13.00 | 48 | 49 | 53 | 0.88 | 0.90 | 0.93 | 3.83 | 6.21 | | |

Performance Data of 3" Rewindable Single Phase (O/L) Motors/60 Hz (CSR)

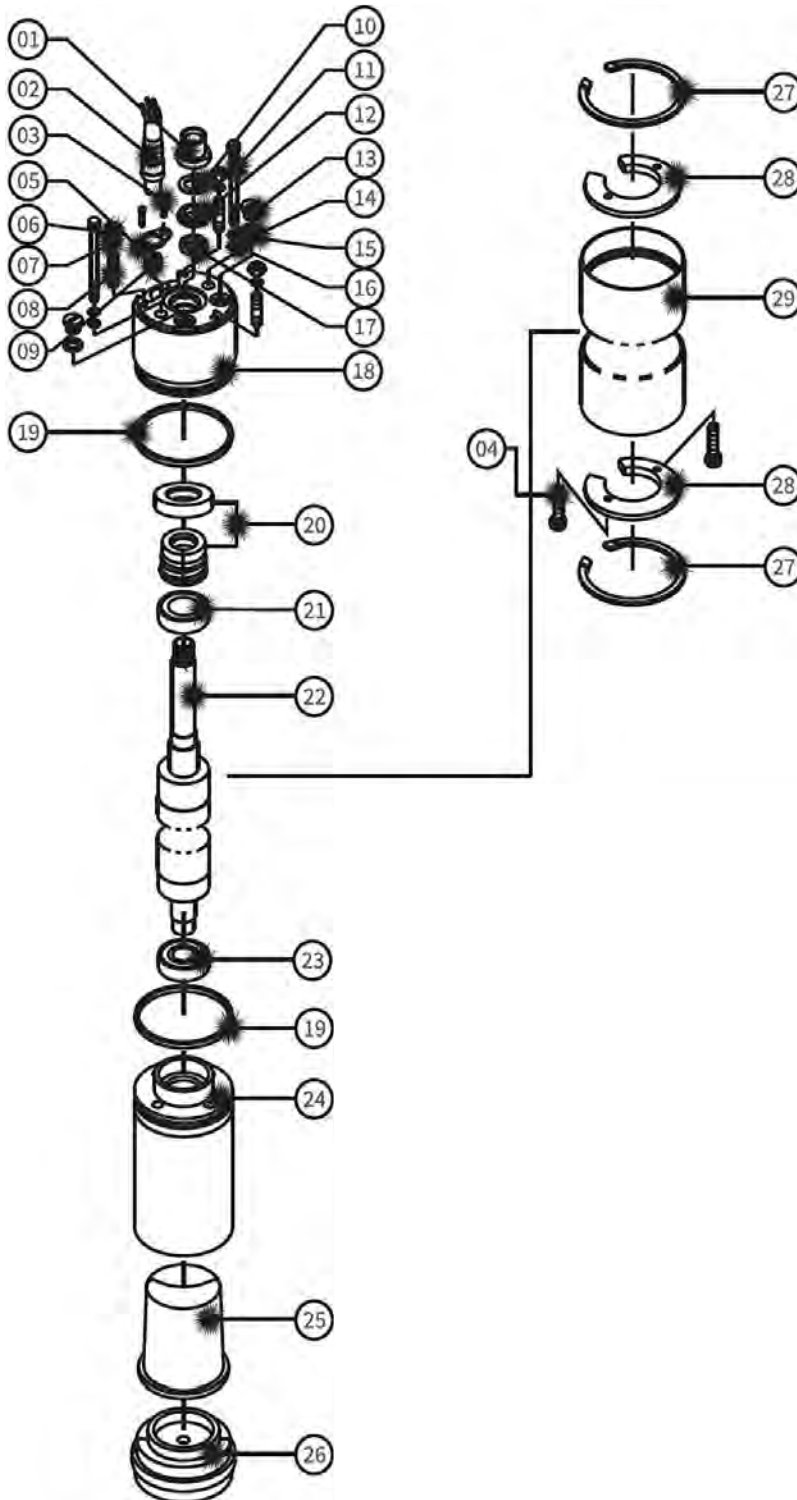
| PN | | Thrust Load [N] | UN [V] | nN [min-1] | IN [A] | IA [A] | η (Eff.) [%] at % load | | | cos φ (PF) at % load | | | TN [Nm] | TA [Nm] | Capacitor Running μF (Uc=450V) |
|--------|------|-----------------|--------|------------|--------|--------|------------------------|-----|------|----------------------|------|------|---------|---------|--------------------------------|
| [H.P.] | [kW] | | | | | | 50 | 75 | 100 | 50 | 75 | 100 | | | |
| 0.5 | 0.37 | | | | | | 1500 | 230 | 3430 | 4.6 | 12.2 | 38 | | | |
| 0.75 | 0.55 | 1500 | 230 | 3430 | 6.3 | 17.3 | 45 | 47 | 49 | 0.86 | 0.88 | 0.91 | 1.54 | 1.26 | 30 |
| 1.0 | 0.75 | 1500 | 230 | 3440 | 8.7 | 23 | 48 | 50 | 51 | 0.88 | 0.90 | 0.92 | 2.04 | 1.82 | 30 |
| 1.5 | 1.1 | 1500 | 230 | 3440 | 12 | 34 | 49 | 51 | 53 | 0.87 | 0.88 | 0.90 | 3.06 | 2.6 | 36 |

Performance Data of 3" Rewindable Single Phase (O/L) Motors/60 Hz (CSCR)

| PN | | Thrust Load [N] | UN [V] | nN [min-1] | IN [A] | IA [A] | η (Eff.) [%] at % load | | | cos φ (PF) at % load | | | TN [Nm] | TA [Nm] | Capacitor Running μF (Uc=450V) | Capacitor Starting μF (Uc=270V) |
|--------|------|-----------------|--------|------------|--------|--------|------------------------|-----|------|----------------------|------|------|---------|---------|--------------------------------|---------------------------------|
| [H.P.] | [kW] | | | | | | 50 | 75 | 100 | 50 | 75 | 100 | | | | |
| 0.5 | 0.37 | | | | | | 1500 | 230 | 3430 | 4.6 | 12.2 | 38 | | | | |
| 0.75 | 0.55 | 1500 | 230 | 3430 | 6.3 | 17.3 | 45 | 47 | 49 | 0.86 | 0.88 | 0.91 | 1.54 | 2.31 | 30 | 100-120 |
| 1.0 | 0.75 | 1500 | 230 | 3440 | 8.7 | 23 | 48 | 50 | 51 | 0.88 | 0.90 | 0.92 | 2.04 | 3.35 | 30 | 100-120 |
| 1.5 | 1.1 | 1500 | 230 | 3440 | 12 | 34 | 49 | 51 | 53 | 0.87 | 0.88 | 0.90 | 3.06 | 4.96 | 36 | 100-120 |

- PN • Rated Output
- F[N] • Axial Thrust Load
- UN - Rated Voltage
- nN - RPM
- IN - Full Load Current
- IA - Starting Current
- η • Motor Efficiency
- cosφ - Power Factor
- TN - Full Load Torque
- TA - Starting Torque

Exploded View of Spare Parts of Motors



- 1 Sand Guard
- 2 Cable
- 3 Cable Clio Screw
- 4 Allen Bolt
- 5 Cable Clip
- 6 Hex Nut
- 7 Stud Washer
- 8 Stud
- 9 Cable Grommet
- 10 Teflon Washer
- 11 Allen Bolt
- 12 Oil Seal Collar
- 13 Drain Plu•
- 14 Drain Plue "O" Rine.
- 15 Allen Bolt Washer
- 16 Allen Bolt -o- Ring
- 17 Oil Seal
- 18 Uooer Housin2
- 19 "O" Ring
- 20 Mechanical Seal
- 21 Uooer Bearine:
- 22 Rotor Shaft
- 23 Lower Bearine:
- 24 Lower Houslne:
- 25 Pressure Cup
- 26 Motor Base
- 27 Cir Clio Ontemall
- 28 Uooer & Lower Flan••
- 29 Finish Stator Body



3" WATER FILLED SUBMERSIBLE MOTORS (RE-WINDABLE)

TECHNICAL SPECIFICATIONS:

3" Water filled Motors are rewindable.

Winding wire: Polywrapped.

Degree of protection : IP68.

Max water temperature : 35' C.

Start per hour: 30 times (Max.).

Allowable voltage variation: +6% -10%.

Motor shaft of Stainless Steel.

Stator shell of Stainless Steel.

Max depth immersion : 100 M.

Mounting : vertical/ horizontal.

Upper/ Lower bracket in Cast Iron with Epoxy Paint.

Single Phase Motors are Capacitor start and run.

Motor Cable length : 3 Meter (3 Core/ earth wire separate on demand). Coolant : Clear Water.

VERSIONS:

Single Phase : 0.37 kW to 1.10 kW, 220 - 230Volt/ 50 Hz.

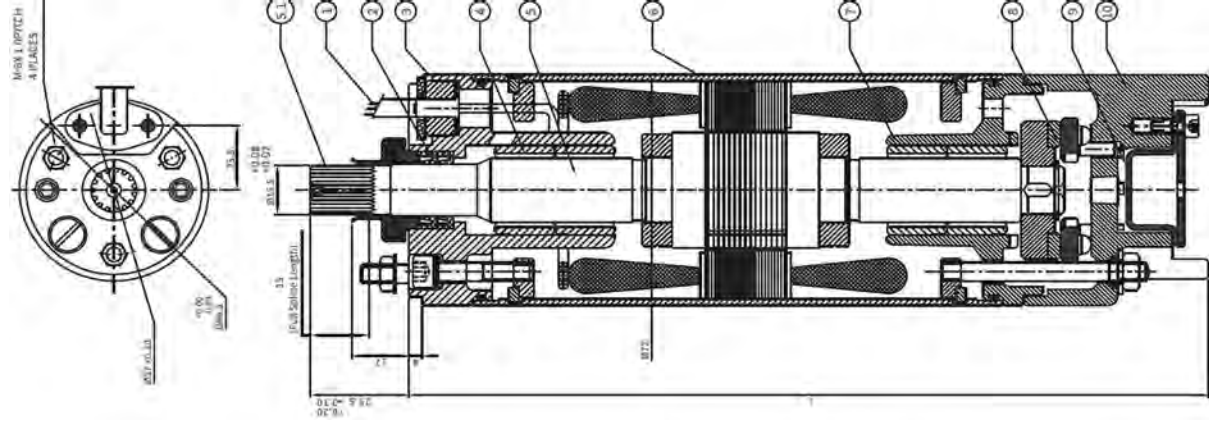
Single Phase : 0.37 kW to 1.10 kW, 230 Volt/ 60 Hz.

Motors with other Voltage and frequency ratings are available on specific demand.



3" Rewindable Sub. Motors

3" WATER FILLED REWINDABLE MOTOR DESIGN



| SRNO. | PART'S NAME | MATERIAL |
|-------|----------------|---------------------|
| 01 | CABLECORE | EPR/PVC |
| 02 | OIL SEAL | N.B.R |
| 03 | UPPER HOUSING | CAST IRON (F.G.200) |
| 04 | BEARING BUSH | L.T.B-4(2%NI) |
| 05 | ROTOR SHAFT | S.S.420 |
| 06 | MOTOR SHELL | S.S.304 |
| 07 | LOWER HOUSING | CAST IRON (F.G.200) |
| 08 | THRUST BEARING | CARBON/S.S.420 |
| 09 | PRESSURE CLIP | N.B.R |
| 10 | MOTOR BASE | CAST IRON (F.G.200) |
| 11 | ALL HARDWARE | S.S.316/304 |

| PN | S.P. | | MOTOR WEIGHT [kg] | MOTOR WEIGHT (incl.pkg)[kg] |
|------|--------|-------|-------------------|-----------------------------|
| | [H.P.] | L[mm] | | |
| 0.37 | 0.50 | 305 | 8.50 | 9.50 |
| 0.55 | 0.75 | 445 | 9.50 | 10.5 |
| 0.75 | 1.00 | 515 | 11.0 | 12.0 |
| 0.75 | 1.00 | 535 | 11.5 | 12.5 |
| 0.94 | 1.25 | 500 | 10.5 | 11.5 |
| 1.10 | 1.50 | 515 | 11.0 | 12.0 |
| 1.10 | 1.50 | 535 | 11.5 | 12.5 |



3" Rewindable Sub. Motors

Performance Data of 3" Rewindable Single Phase (W/L) Motors (220-230 Volt/50 Hz) CSCR

| PN [H.P.] [kW] | Thrust Load [N] | UN [V] | nN [min-1] | IN [A] | IA [A] | η [Eff.] [%] at % load | | | cos φ (PF) at % load | | | TN [Nm] | TA [Nm] | Capacitor Running μF (Uc=450V) |
|-------------------|-----------------------|-----------|---------------|-----------|-----------|---------------------------|----|-----|-------------------------|------|------|------------|------------|--------------------------------------|
| | | | | | | 50 | 75 | 100 | 50 | 75 | 100 | | | |
| 0.50 | 0.37 | 230 | 2880 | 4.70 | 8.40 | 34 | 35 | 36 | 0.89 | 0.92 | 0.93 | 1.20 | 0.91 | 50 |
| | | | | | | | | | | | | | | |
| 0.75 | 0.55 | 230 | 2880 | 5.20 | 13.20 | 36 | 39 | 41 | 0.84 | 0.86 | 0.88 | 1.80 | 1.24 | 50 |
| | | | | | | | | | | | | | | |
| 1.00 | 0.75 | 230 | 2850 | 7.00 | 16.10 | 48 | 49 | 51 | 0.75 | 0.77 | 0.78 | 2.46 | 1.99 | 72 |
| | | | | | | | | | | | | | | |
| 1.50 | 1.10 | 230 | 2800 | 9.00 | 16.80 | 51 | 53 | 55 | 0.77 | 0.79 | 0.85 | 3.78 | 2.87 | 72 |
| | | | | | | | | | | | | | | |

Performance Data of 3" Rewindable Single Phase (W/L) Motors (220-230 Volt/50 Hz) CSCR

| PN [H.P.] [kW] | Thrust Load [N] | UN [V] | nN [min-1] | IN [A] | IA [A] | η [Eff.] [%] at % load | | | cos φ (PF) at % load | | | TN [Nm] | TA [Nm] | Capacitor Running μF (Uc=450V) | Capacitor Starting μF (Uc=270V) |
|-------------------|-----------------------|-----------|---------------|-----------|-----------|---------------------------|----|-----|-------------------------|------|------|------------|------------|--------------------------------------|---------------------------------------|
| | | | | | | 50 | 75 | 100 | 50 | 75 | 100 | | | | |
| 0.50 | 0.37 | 230 | 2880 | 4.70 | 8.40 | 34 | 35 | 36 | 0.89 | 0.92 | 0.93 | 1.20 | 2.00 | 50 | 100-120 |
| | | | | | | | | | | | | | | | |
| 0.75 | 0.55 | 230 | 2880 | 5.20 | 13.20 | 36 | 39 | 41 | 0.84 | 0.86 | 0.88 | 1.80 | 2.70 | 50 | 100-120 |
| | | | | | | | | | | | | | | | |
| 1.00 | 0.75 | 230 | 2850 | 7.00 | 16.10 | 48 | 49 | 51 | 0.75 | 0.77 | 0.78 | 2.46 | 4.00 | 72 | 100-120 |
| | | | | | | | | | | | | | | | |
| 1.50 | 1.10 | 230 | 2800 | 9.00 | 16.80 | 51 | 53 | 55 | 0.77 | 0.79 | 0.85 | 3.78 | 6.00 | 72 | 100-120 |
| | | | | | | | | | | | | | | | |

Performance Data of 3" Rewindable Single Phase (W/L) Motors/60 Hz (CSR)

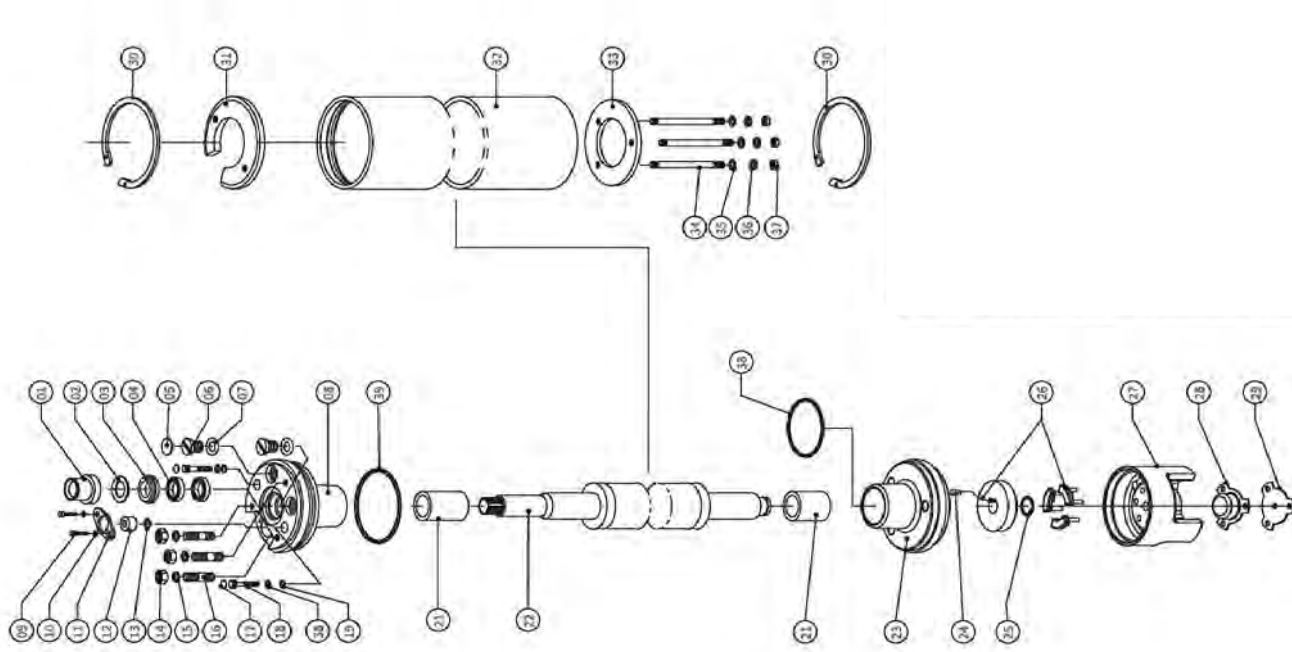
| PN [H.P.] [kW] | Thrust Load [N] | UN [V] | nN [min-1] | IN [A] | IA [A] | η [Eff.] [%] at % load | | | cos φ (PF) at % load | | | TN [Nm] | TA [Nm] | Capacitor Running μF (Uc=450V) |
|-------------------|-----------------------|-----------|---------------|-----------|-----------|---------------------------|----|-----|-------------------------|------|------|------------|------------|--------------------------------------|
| | | | | | | 50 | 75 | 100 | 50 | 75 | 100 | | | |
| 0.5 | 0.37 | 230 | 3440 | 5 | 13 | 38 | 43 | 44 | 0.74 | 0.76 | 0.78 | 1.02 | 0.85 | 36 |
| | | | | | | | | | | | | | | |
| 1.0 | 0.75 | 230 | 3450 | 9.5 | 24 | 48 | 50 | 52 | 0.75 | 0.79 | 0.81 | 2.04 | 1.79 | 61 |
| | | | | | | | | | | | | | | |
| 1.5 | 1.1 | 230 | 3450 | 14 | 50 | 50 | 52 | 54 | 0.75 | 0.77 | 0.80 | 3.06 | 2.57 | 61 |
| | | | | | | | | | | | | | | |

Performance Data of 3" Rewindable Single Phase (W/L) Motors/60 Hz (CSCR)

| PN [H.P.] [kW] | Thrust Load [N] | UN [V] | nN [min-1] | IN [A] | IA [A] | η [Eff.] [%] at % load | | | cos φ (PF) at % load | | | TN [Nm] | TA [Nm] | Capacitor Running μF (Uc=450V) | Capacitor Starting μF (Uc=270V) |
|-------------------|-----------------------|-----------|---------------|-----------|-----------|---------------------------|----|-----|-------------------------|------|------|------------|------------|--------------------------------------|---------------------------------------|
| | | | | | | 50 | 75 | 100 | 50 | 75 | 100 | | | | |
| 0.5 | 0.37 | 230 | 3440 | 5 | 13 | 38 | 43 | 44 | 0.74 | 0.76 | 0.78 | 1.02 | 1.69 | 36 | 100-120 |
| | | | | | | | | | | | | | | | |
| 1.0 | 0.75 | 230 | 3450 | 9.5 | 24 | 48 | 50 | 52 | 0.75 | 0.79 | 0.81 | 2.04 | 3.32 | 61 | 100-120 |
| | | | | | | | | | | | | | | | |
| 1.5 | 1.1 | 230 | 3450 | 14 | 50 | 50 | 52 | 54 | 0.75 | 0.77 | 0.80 | 3.06 | 4.9 | 61 | 100-120 |
| | | | | | | | | | | | | | | | |

- PN-Rated Output
- F[IN]-Axial Thrust Load
- UN-Rated Voltage
- nN-RPM
- IN-Full Load Current
- IA-Starting Current
- TI - Motor Efficiency
- cosφ - Power Factor
- TN - Full Load Torque
- TA-Starting Torque

Exploded View of Spare Parts of Motors



| No. | Part's Name |
|-----|--------------------------|
| 1 | Sand Guard |
| 2 | Teflon Washer |
| 3 | Oil Seal Collar |
| 4 | Oil Seal |
| 5 | Drain Plug Cap |
| 6 | Drain Plug |
| 7 | Drain Plug "O" Ring |
| 8 | Upper Housing |
| 9 | Cable Clip Screw |
| 10 | Cable Clip Washer |
| 11 | Cable Clip |
| 12 | Cable Grommet |
| 13 | Cable Grommet Washer |
| 14 | Hex Nut |
| 15 | Upper Stud Washer |
| 16 | Upper Stud |
| 17 | Allen Bolt Cap |
| 18 | Allen Bolt |
| 19 | Allen Bolt "O" Ring |
| 20 | Hex Nut |
| 21 | Bearing Bush |
| 22 | Rotor Shaft |
| 23 | Lower Housing |
| 24 | Key |
| 25 | Cir Clip (External) |
| 26 | Thrust Bearing Pad Set |
| 27 | Motor Base |
| 28 | Pressure Cup |
| 29 | Motor Base Plate |
| 30 | Cir Clip |
| 31 | Upper Flange |
| 32 | Finish Stator Body |
| 33 | Lower Flange |
| 34 | Stud |
| 35 | Stud Washer |
| 36 | Stud "O"- Ring |
| 37 | Allen Bolt Copper Washer |
| 38 | Upper & Lower "O" Ring |



4" OIL FILLED SUBMERSIBLE MOTORS (RE-WINDABLE)

TECHNICAL SPECIFICATIONS:

4" Oil filled Motors are rewindable.

Coupling dimensions as per NEMA standard.

Winding wires are dual coated Enamelled.

Insulation class : B.

Degree of protection : IP58.

Max oil temperature: 35'C.

Start per hour: 30 time (Max.).

Allowable voltage variation: +6% - 10%.

Motor shaft of Stainless Steel.

Stator shell of Stainless Steel.

Max depth immersion : 250M.

Mounting : Vertical/ Horizontal.

Upper/ Lower bracket with Stainless Steel cladding.

Single Phase Motors are Capacitor start and run.

Motor Cable length : 3 Meter (3 Core/4 Core).

Coolant : Die electric non - toxic.

VERSIONS:

Single Phase : 0.25 kW to 2.20 kW, 220 - 230Volt/ 50 Hz.

0.37 kW to 2.20 kW, 230Volt/ 60 Hz.

Three Phase: 0.37 kW to 5.50 kW, 380 - 400 - 415Volt/50 Hz.

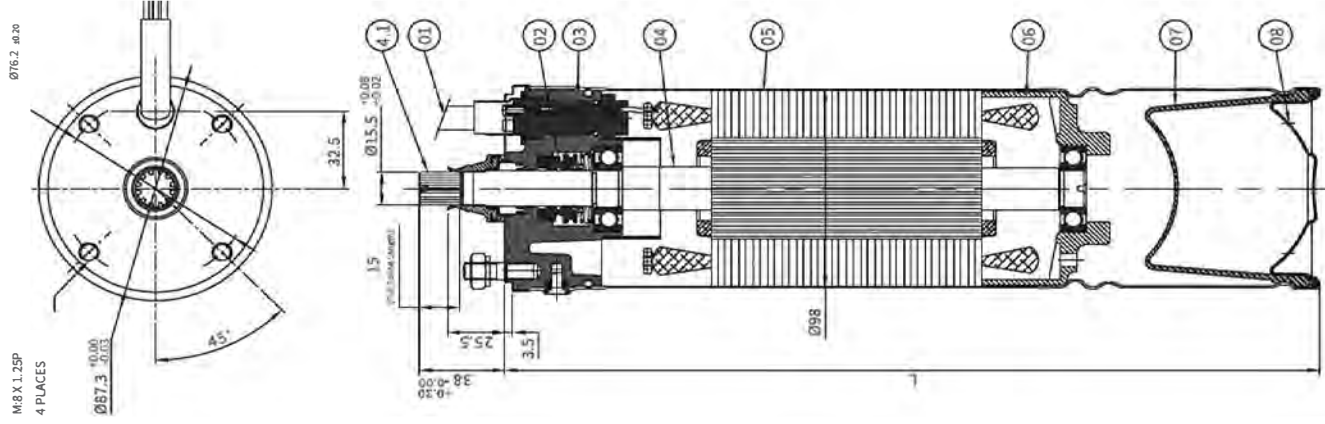
0.37 kW to 4.00 kW, 230 - 380 - 460Volt/60 Hz.

Motor with other voltage and frequency ratings are available on specific demand.



4" Rewindable Sub. Motors

4" OIL FILLED REWINDABLE MOTOR DESIGN



| SRNO. | PART'SNAME | MATERIAL |
|-------|----------------------|-------------------------------------|
| 01 | CABLE 3 CORE/ 4 CORE | EPR/P.V.C |
| 02 | MECH. SEAL | CERAMIC/ CARBON |
| 03 | UPPER HOUSING | CAST IRON (F.G 200) with S.S Claded |
| 04 | ROTOR SHAFT | S.S.420 |
| 4.1 | SHAFT END | S.S.303 |
| 05 | MOTOR SHELL | S.S.304 |
| 06 | LOWER HOUSING | CAST IRON (F.G 200) |
| 07 | PRESSURE CUP | N.B.R |
| 08 | MOTOR BASE | S.S.304 |
| 09 | ALL HARDWARE | S.S.316/304 |

| PN | [kW] | [H.P.] | L[mm] | MOTOR WEIGHT | MOTOR WEIGHT |
|----|------|--------|-------|--------------|-----------------|
| | | | | [kg] | (incl.p/kg)[kg] |
| | 0.37 | 0.50 | 291 | 6.3 | 8.30 |
| | 0.55 | 0.75 | 316 | 6.8 | 8.80 |
| | 0.75 | 1.00 | 351 | 8.2 | 10.2 |
| | 1.10 | 1.50 | 376 | 9.4 | 11.4 |
| | 1.50 | 2.00 | 421 | 11.6 | 13.6 |
| | 2.20 | 3.00 | 471 | 12.9 | 14.9 |
| | 0.75 | 1.00 | 336 | 9.20 | 11.2 |
| | 2.20 | 3.00 | 421 | 11.6 | 13.6 |
| | 3.15 | 5.00 | 471 | 12.9 | 14.9 |
| | 5.50 | 7.50 | 571 | 21.6 | 21.6 |



4" Rewindable Sub. Motors

Performance Data of 4" Rewindable Single Phase (0/L) Motors
(220-230 Volt/50 Hz) CSR

| PH | Thrust Load [N] | U _{in} [V] | n _{in} [min ⁻¹] | I _{in} [A] | I _{sk} [A] | η [%] at % load | | | cos φ [PF] at % load | | | T _h [Nm] | T _{sk} [Nm] | Capacitor Running μF (V _{in} =230V) |
|------|-----------------|---------------------|--------------------------------------|---------------------|---------------------|-----------------|----|-----|----------------------|------|------|---------------------|----------------------|--|
| | | | | | | 50 | 75 | 100 | 50 | 75 | 100 | | | |
| 0.33 | 1300 | 220 | 2860 | 2.3 | 7.0 | 35 | 46 | 54 | 0.85 | 0.90 | 0.94 | 0.81 | 0.77 | 25 |
| | | 230 | 2870 | 2.5 | 8.4 | 32 | 43 | 50 | 0.78 | 0.85 | 0.90 | 0.81 | 0.85 | |
| | | 220 | 2830 | 3.2 | 10.7 | 37 | 49 | 56 | 0.88 | 0.94 | 0.97 | 1.22 | 0.93 | |
| 0.50 | 1300 | 230 | 2860 | 3.4 | 11.2 | 36 | 46 | 53 | 0.81 | 0.84 | 0.93 | 1.22 | 1.02 | 25 |
| | | 220 | 2840 | 4.2 | 15.4 | 48 | 58 | 64 | 0.90 | 0.95 | 0.97 | 1.86 | 1.28 | |
| | | 230 | 2835 | 4.3 | 16.1 | 46 | 56 | 63 | 0.82 | 0.90 | 0.94 | 1.86 | 1.41 | |
| 1.00 | 1300 | 220 | 2840 | 5.8 | 20.2 | 44 | 55 | 61 | 0.96 | 0.98 | 0.99 | 2.46 | 1.99 | 36 |
| | | 230 | 2835 | 5.7 | 21.1 | 42 | 53 | 60 | 0.90 | 0.95 | 0.98 | 2.46 | 2.19 | |
| | | 220 | 2840 | 8.4 | 30.1 | 48 | 57 | 64 | 0.90 | 0.95 | 0.97 | 3.70 | 2.80 | |
| 1.50 | 3000 | 230 | 2835 | 8.6 | 31.3 | 44 | 54 | 62 | 0.82 | 0.89 | 0.94 | 3.70 | 3.10 | 40 |
| | | 220 | 2805 | 10.6 | 32.9 | 52 | 62 | 67 | 0.91 | 0.96 | 0.98 | 4.97 | 3.28 | |
| | | 230 | 2825 | 10.6 | 35.4 | 49 | 59 | 66 | 0.82 | 0.90 | 0.95 | 4.97 | 3.63 | |
| 3.00 | 4000 | 220 | 2810 | 16.0 | 54.2 | 53 | 61 | 65 | 0.94 | 0.97 | 0.99 | 7.42 | 4.37 | 80 |
| | | 230 | 2840 | 15.5 | 56.7 | 51 | 61 | 66 | 0.86 | 0.93 | 0.97 | 7.42 | 4.82 | |

Performance Data of 4" Rewindable Single Phase (0/L) Motors
(220-230 Volt/50 Hz) CSCR

| PH | Thrust Load [N] | U _{in} [V] | n _{in} [min ⁻¹] | I _{in} [A] | I _{sk} [A] | η [%] at % load | | | cos φ [PF] at % load | | | T _h [Nm] | T _{sk} [Nm] | Capacitor Running μF (V _{in} =230V) |
|------|-----------------|---------------------|--------------------------------------|---------------------|---------------------|-----------------|----|-----|----------------------|------|------|---------------------|----------------------|--|
| | | | | | | 50 | 75 | 100 | 50 | 75 | 100 | | | |
| 0.33 | 1300 | 220 | 2900 | 2.9 | 12 | 45 | 53 | 57 | 0.90 | 0.90 | 0.92 | 0.81 | 1.37 | 25 |
| | | 230 | 2900 | 2.8 | 11.5 | 45 | 53 | 57 | 0.90 | 0.90 | 0.92 | 0.81 | 1.37 | |
| | | 220 | 2890 | 4.2 | 15.1 | 51 | 59 | 62 | 0.92 | 0.94 | 0.73 | 1.2 | 2 | |
| 0.50 | 1300 | 230 | 2890 | 4 | 14.4 | 51 | 59 | 62 | 0.92 | 0.94 | 0.73 | 1.2 | 2 | 25 |
| | | 220 | 2900 | 6.3 | 24.1 | 52 | 59 | 63 | 0.48 | 0.55 | 0.68 | 1.8 | 2.7 | |
| | | 230 | 2900 | 6 | 23.1 | 52 | 59 | 63 | 0.48 | 0.55 | 0.68 | 1.8 | 2.7 | |
| 1.00 | 1300 | 230 | 2890 | 7.6 | 29.6 | 56 | 62 | 64 | 0.94 | 0.96 | 0.75 | 2.5 | 4.1 | 36 |
| | | 220 | 2890 | 9.6 | 41.4 | 58 | 65 | 68 | 0.99 | 0.71 | 0.80 | 3.7 | 6 | |
| | | 230 | 2890 | 8.9 | 39.6 | 58 | 65 | 68 | 0.99 | 0.71 | 0.80 | 3.7 | 6 | |
| 2.00 | 3000 | 220 | 2875 | 11.6 | 35.8 | 60 | 66 | 68 | 0.71 | 0.81 | 0.88 | 4.9 | 8.3 | 50 |
| | | 230 | 2875 | 11.1 | 33.4 | 60 | 66 | 68 | 0.71 | 0.81 | 0.88 | 4.9 | 8.3 | |
| | | 220 | 2865 | 16.7 | 48 | 61 | 68 | 70 | 0.72 | 0.82 | 0.88 | 7.4 | 14 | |
| 3.00 | 4000 | 230 | 2865 | 15.9 | 48 | 61 | 68 | 70 | 0.72 | 0.82 | 0.88 | 7.4 | 14 | 80 |

- PN - Rated Output
- F[IN] - Axial Thrust Load
- UN - Rated Voltage
- nN-RPM
- IN-Full Load Current
- IA-Starting Current
- η - Motor Efficiency
- cosφ - Power Factor
- TN - Full Load Torque
- TA-Starting Torque

Performance Data of 4" Rewindable Three Phase Motors {380-415 Volt/50 Hz}

| PH | Thrust Load [N] | U _{in} [V] | n _{in} [min ⁻¹] | I _{in} [A] | I _{sk} [A] | η [%] at % load | | | cos φ [PF] at % load | | | T _h [Nm] | T _{sk} [Nm] |
|------|-----------------|---------------------|--------------------------------------|---------------------|---------------------|-----------------|----|-----|----------------------|------|------|---------------------|----------------------|
| | | | | | | 50 | 75 | 100 | 50 | 75 | 100 | | |
| 0.50 | 1500 | 380 | 2840 | 1.1 | 4.4 | 59 | 64 | 66 | 0.97 | 0.85 | 0.76 | 1.1 | 2.3 |
| | | 400 | 2865 | 1.1 | 4.7 | 56 | 63 | 66 | 0.93 | 0.65 | 0.70 | 1.2 | 2.5 |
| | | 415 | 2875 | 1.2 | 4.9 | 54 | 62 | 66 | 0.49 | 0.60 | 0.76 | 1.2 | 2.8 |
| 0.75 | 1500 | 380 | 2830 | 1.6 | 6.0 | 67 | 67 | 67 | 0.99 | 0.72 | 0.80 | 1.9 | 3.1 |
| | | 400 | 2855 | 1.6 | 6.4 | 56 | 64 | 67 | 0.94 | 0.67 | 0.75 | 1.9 | 3.5 |
| | | 415 | 2870 | 1.7 | 6.6 | 56 | 63 | 66 | 0.90 | 0.63 | 0.80 | 1.9 | 3.7 |
| 1.00 | 1500 | 380 | 2850 | 2.1 | 8.9 | 68 | 70 | 69 | 0.97 | 0.70 | 0.79 | 2.5 | 4.8 |
| | | 400 | 2870 | 2.1 | 9.3 | 60 | 67 | 69 | 0.92 | 0.65 | 0.75 | 2.5 | 5.3 |
| | | 415 | 2880 | 2.2 | 9.8 | 57 | 65 | 68 | 0.49 | 0.62 | 0.71 | 2.5 | 5.9 |
| 1.50 | 3000 | 380 | 2830 | 3.0 | 13.8 | 68 | 72 | 70 | 0.99 | 0.73 | 0.81 | 3.8 | 9.6 |
| | | 400 | 2840 | 3.0 | 14.5 | 66 | 71 | 73 | 0.93 | 0.67 | 0.76 | 3.7 | 10.6 |
| | | 415 | 2890 | 3.1 | 15.3 | 64 | 70 | 72 | 0.49 | 0.62 | 0.72 | 3.7 | 11.5 |
| 2.00 | 3000 | 380 | 2840 | 3.9 | 18.6 | 68 | 72 | 73 | 0.99 | 0.72 | 0.81 | 5.0 | 11.3 |
| | | 400 | 2855 | 4.0 | 19.2 | 66 | 71 | 73 | 0.93 | 0.66 | 0.76 | 5.0 | 12.6 |
| | | 415 | 2870 | 4.1 | 20.2 | 63 | 69 | 72 | 0.48 | 0.62 | 0.72 | 4.9 | 13.5 |
| 3.00 | 4000 | 380 | 2815 | 5.8 | 28.7 | 72 | 75 | 75 | 0.99 | 0.72 | 0.81 | 7.6 | 21.7 |
| | | 400 | 2840 | 5.9 | 28.9 | 68 | 73 | 75 | 0.93 | 0.64 | 0.75 | 7.5 | 23.6 |
| | | 415 | 2870 | 6.3 | 30.8 | 66 | 71 | 73 | 0.45 | 0.59 | 0.69 | 7.5 | 25.9 |
| 4.00 | 6000 | 380 | 2785 | 6.4 | 32.0 | 70 | 73 | 75 | 0.70 | 0.73 | 0.76 | 10.15 | 23.35 |
| | | 400 | 2790 | 6.3 | 32.5 | 68 | 71 | 74 | 0.69 | 0.72 | 0.75 | 10.10 | 25.25 |
| | | 415 | 2810 | 6.1 | 33.2 | 67 | 70 | 73 | 0.67 | 0.71 | 0.73 | 10.00 | 26.0 |
| 5.50 | 6000 | 380 | 2785 | 9.70 | 38.0 | 70 | 72 | 75 | 0.71 | 0.73 | 0.75 | 13.37 | 26.56 |
| | | 400 | 2790 | 9.50 | 40.0 | 68 | 70 | 74 | 0.69 | 0.72 | 0.74 | 13.34 | 29.4 |
| | | 415 | 2800 | 9.40 | 41.5 | 67 | 69 | 73 | 0.67 | 0.70 | 0.73 | 13.30 | 32 |
| 7.50 | 6000 | 380 | 2810 | 13.70 | 47.0 | 70 | 72 | 75 | 0.72 | 0.73 | 0.75 | 18.76 | 37.52 |
| | | 400 | 2820 | 13.50 | 49.0 | 68 | 71 | 74 | 0.70 | 0.71 | 0.74 | 18.70 | 41.14 |
| | | 415 | 2840 | 13.00 | 51.0 | 68 | 70 | 73 | 0.68 | 0.70 | 0.72 | 18.56 | 44.54 |



4" Rewindable Sub. Motors

Performance Data of 4" Rewindable Single Phase (O/L) Motors
(220-230 Volt/60 Hz) CSR

| P _{in} [H.P.] | P _{in} [kW] | Thrust Load [N] | U _{in} [V] | n _m [min ⁻¹] | I _N [A] | I _A [A] | I _K [A] | η (EFF) [%] at % load | | | cos φ (PF) at % load | | | T _K [Nm] | Capacitor Starting μF (100-1000) |
|---------------------------|-------------------------|--------------------|------------------------|--|-----------------------|-----------------------|-----------------------|-----------------------|------|------|----------------------|------|------|------------------------|---|
| | | | | | | | | 50 | 75 | 100 | 50 | 75 | 100 | | |
| 0.5 | 0.37 | 3000 | 230 | 3450 | 3.1 | 10.7 | 43 | 53 | 60 | 0.76 | 0.79 | 0.88 | 1.02 | 0.86 | 25 |
| 0.75 | 0.55 | 3000 | 230 | 3450 | 4.2 | 15.1 | 30 | 67 | 0.83 | 0.91 | 0.95 | 1.53 | 1.16 | 36 | |
| 1.0 | 0.75 | 3000 | 230 | 3450 | 5.8 | 20.2 | 46 | 55 | 62 | 0.90 | 0.95 | 0.98 | 2.03 | 1.82 | 36 |
| 1.5 | 1.1 | 3000 | 230 | 3450 | 8 | 30.1 | 49 | 59 | 67 | 0.81 | 0.88 | 0.93 | 3.06 | 2.57 | 40 |
| 2.0 | 1.5 | 3000 | 230 | 3450 | 10.1 | 33.9 | 53 | 63 | 70 | 0.83 | 0.91 | 0.96 | 4.07 | 2.97 | 50 |
| 3.0 | 2.2 | 4000 | 230 | 3400 | 14 | 54.2 | 58 | 68 | 73 | 0.87 | 0.94 | 0.98 | 6.15 | 4.00 | 80 |

Performance Data of 4" Rewindable Single Phase (O/L) Motors
(220-230 Volt/60 Hz) CSCR

| P _{in} [H.P.] | P _{in} [kW] | Thrust Load [N] | U _{in} [V] | n _m [min ⁻¹] | I _N [A] | I _A [A] | I _K [A] | η (EFF) [%] at % load | | | cos φ (PF) at % load | | | T _K [Nm] | Capacitor Starting μF (100-1000) |
|---------------------------|-------------------------|--------------------|------------------------|--|-----------------------|-----------------------|-----------------------|-----------------------|----|------|----------------------|------|------|------------------------|---|
| | | | | | | | | 50 | 75 | 100 | 50 | 75 | 100 | | |
| 0.5 | 0.37 | 3000 | 230 | 3480 | 4.2 | 15.2 | 57 | 64 | 67 | 0.30 | 0.59 | 0.68 | 1.01 | 1.69 | 25 |
| 0.75 | 0.55 | 3000 | 230 | 3485 | 6.5 | 24.2 | 57 | 66 | 68 | 0.49 | 0.59 | 0.70 | 1.51 | 2.27 | 36 |
| 1.0 | 0.75 | 3000 | 230 | 3630 | 7.8 | 30 | 54 | 62 | 65 | 0.53 | 0.64 | 0.73 | 2.01 | 3.3 | 36 |
| 1.5 | 1.1 | 3000 | 230 | 3480 | 9.6 | 41.5 | 60 | 67 | 70 | 0.59 | 0.70 | 0.79 | 3.04 | 4.92 | 40 |
| 2.0 | 1.5 | 3000 | 230 | 3480 | 11.1 | 55.3 | 65 | 71 | 74 | 0.69 | 0.80 | 0.89 | 4.04 | 6.87 | 50 |
| 3.0 | 2.2 | 4000 | 230 | 3475 | 14.7 | 82 | 67 | 74 | 77 | 0.70 | 0.81 | 0.88 | 6.07 | 11.5 | 80 |

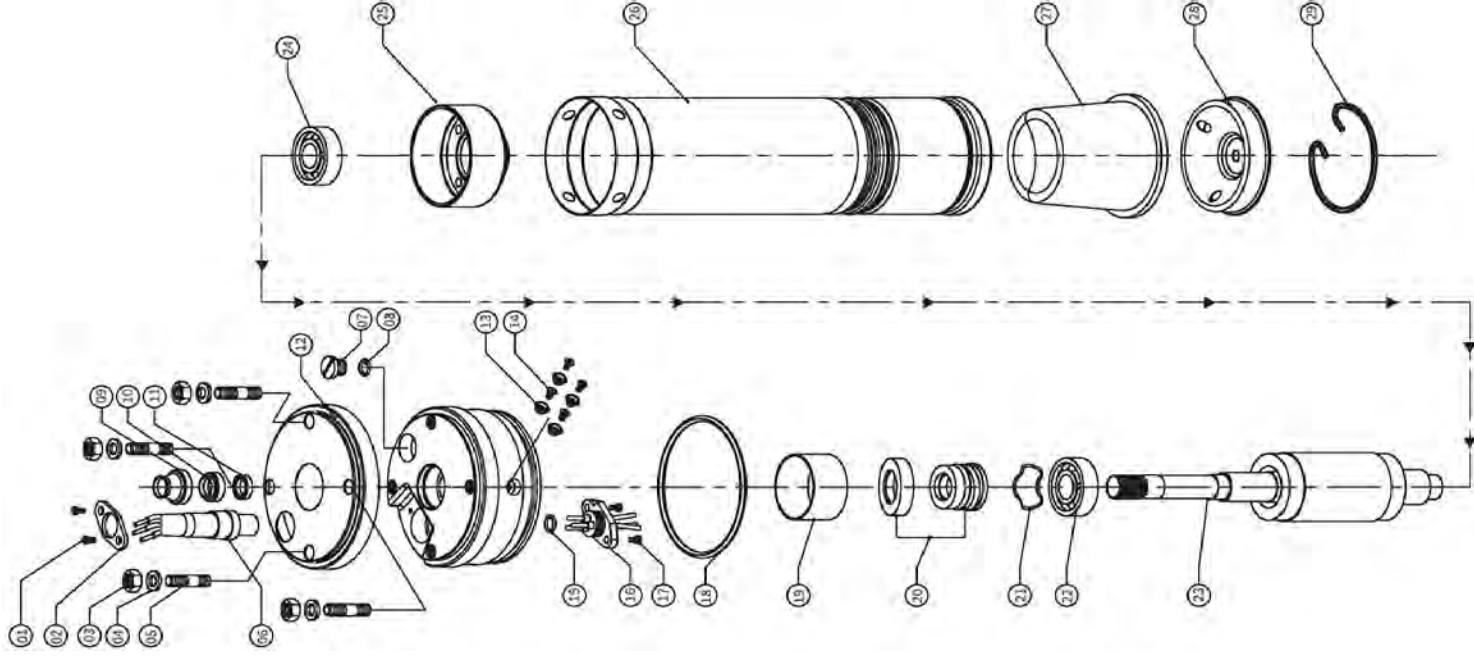
- PN - Rated Output
- F(N)-Axial Thrust Load
- UN - Rated Voltage
- nN-RPM
- IN - Full Load Current
- IA - Starting Current
- IK - Motor Efficiency
- COS(φ) - Power Factor
- TN - Full Load Torque
- TA - Starting Torque

Performance Data of 4" Rewindable Three Phase Motors/60 Hz

| P _{in} [H.P.] | P _{in} [kW] | Thrust Load [N] | U _{in} [V] | n _m [min ⁻¹] | I _N [A] | I _A [A] | I _K [A] | η (EFF) [%] at % load | | | cos φ (PF) at % load | | | T _K [Nm] | T _A [Nm] | | | | | | | | | | | | |
|---------------------------|-------------------------|--------------------|------------------------|--|-----------------------|-----------------------|-----------------------|-----------------------|----|------|----------------------|------|------|------------------------|------------------------|-----|------|------|-------|----|----|----|------|------|------|------|-------|
| | | | | | | | | 50 | 75 | 100 | 50 | 75 | 100 | | | 50 | 75 | 100 | | | | | | | | | |
| 0.5 | 0.37 | 3000 | 230 | 3445 | 2.41 | 9.6 | 39 | 62 | 64 | 0.58 | 0.71 | 0.79 | 1.02 | 1.81 | | | | | | | | | | | | | |
| | | | | | | | | | | | | | | | | 380 | 3445 | 2.42 | 9.6 | 39 | 62 | 64 | 0.58 | 0.71 | 0.79 | 1.02 | 1.96 |
| | | | | | | | | | | | | | | | | | | | | | | | | | | | |
| 0.75 | 0.55 | 3000 | 230 | 3430 | 3.10 | 12.4 | 63 | 67 | 69 | 0.57 | 0.71 | 0.80 | 1.58 | 2.3 | | | | | | | | | | | | | |
| | | | | | | | | | | | | | | | | 380 | 3450 | 3.10 | 12.4 | 63 | 67 | 69 | 0.57 | 0.71 | 0.80 | 1.53 | 2.5 |
| | | | | | | | | | | | | | | | | | | | | | | | | | | | |
| 1.0 | 0.75 | 3000 | 230 | 3455 | 3.98 | 17.55 | 66 | 68 | 70 | 0.59 | 0.72 | 0.81 | 2.03 | 3.95 | | | | | | | | | | | | | |
| | | | | | | | | | | | | | | | | 380 | 3435 | 2.32 | 10.35 | 66 | 68 | 70 | 0.59 | 0.72 | 0.81 | 2.03 | 3.90 |
| | | | | | | | | | | | | | | | | | | | | | | | | | | | |
| 1.5 | 1.1 | 3000 | 230 | 3445 | 5.00 | 25 | 70 | 73 | 76 | 0.61 | 0.76 | 0.83 | 3.04 | 6.69 | | | | | | | | | | | | | |
| | | | | | | | | | | | | | | | | 380 | 3445 | 3.00 | 15 | 70 | 73 | 76 | 0.61 | 0.76 | 0.83 | 3.04 | 7.7 |
| | | | | | | | | | | | | | | | | | | | | | | | | | | | |
| 2.0 | 1.5 | 3000 | 230 | 3445 | 6.71 | 33.5 | 64 | 66 | 69 | 0.59 | 0.73 | 0.81 | 4.08 | 8.16 | | | | | | | | | | | | | |
| | | | | | | | | | | | | | | | | 380 | 3445 | 4.11 | 20.5 | 64 | 66 | 69 | 0.59 | 0.73 | 0.81 | 4.08 | 9.22 |
| | | | | | | | | | | | | | | | | | | | | | | | | | | | |
| 3.0 | 2.2 | 4000 | 230 | 3430 | 9.51 | 47.5 | 70 | 73 | 75 | 0.52 | 0.65 | 0.74 | 6.11 | 15.3 | | | | | | | | | | | | | |
| | | | | | | | | | | | | | | | | 380 | 3450 | 5.80 | 29 | 70 | 73 | 75 | 0.52 | 0.65 | 0.74 | 6.11 | 17.4 |
| | | | | | | | | | | | | | | | | | | | | | | | | | | | |
| 5.5 | 4.0 | 6500 | 230 | 3430 | 15.91 | 55.65 | 69 | 71 | 74 | 0.52 | 0.66 | 0.75 | 11.2 | 18.50 | | | | | | | | | | | | | |
| | | | | | | | | | | | | | | | | 380 | 3430 | 9.62 | 33.6 | 69 | 71 | 74 | 0.52 | 0.66 | 0.75 | 11.2 | 22.18 |
| | | | | | | | | | | | | | | | | | | | | | | | | | | | |



4" Rewindable Sub. Motors



| No. | Part's Name |
|-----|------------------------------|
| 1 | Cable Clip Screw |
| 2 | Cable Clip |
| 3 | Hex Nut |
| 4 | Stud Washer |
| 5 | Upper Stud |
| 6 | Cable Set |
| 7 | Drain Plug |
| 8 | Drain Plug "O" Ring |
| 9 | Sand Guard (With Instart) |
| 10 | Upper Cap |
| 11 | Oil Seal |
| 12 | Upper Jacket |
| 13 | Screw Coller |
| 14 | Screw (For Coller) |
| 15 | Cable Connector Pin 'O' Ring |
| 16 | Cable Connector Pin |
| 17 | Cable Connector Pin Screw |
| 18 | Upper 'O' Ring |
| 19 | Winding Cap |
| 20 | Mechanical Seal |
| 21 | Wave Washer |
| 22 | Ball Bearing (Upper Side) |
| 23 | Rotor |
| 24 | Ball Bearing (Lower Side) |
| 25 | Lower Housing |
| 26 | Stator Body |
| 27 | Pressure Cup |
| 28 | Motor Base Plate |
| 29 | Cir Clip |



4" Rewindable Sub. Motors

4" WATER FILLED SUBMERSIBLE MOTORS (RE-WINDABLE)

TECHNICAL SPECIFICATIONS:

4" Water Filled Motors are rewindable. Coupling dimensions as per NEMA standard.

Winding wire : Polywrapped.

Degree of protection : IP68.

Max water temperature : 35 ° C.

Start per hour : 30 time (Max.).

Allowable voltage variation +6% - 10%.

Motor shaft of Stainless Steel.

Stator shell of Stainless Steel.

Max depth immersion : 250 M.

Mounting : vertical/ horizontal.

Upper/ Lower bracket in Cast Iron with Epoxy Paint OR Upper Bracket Steel Cast/ Lower bracket with SS Cladding.

Single Phase Motors are Capacitor start and run.

Motor Cable length : 3 Meter (3 Core/ 4 Core).

Coolant : Clear Water.

VERSIONS:

Single Phase : 0.37 kW to 4.00 kW, 220 - 230Volt/ 50 Hz.

0.37 kW to 4.00 kW, 230Volt/ 60 Hz.

Three Phase : 0.55 kW to 7.50 kW, 380 - 415Volt/ 50 Hz.

0.37 kW to 7.50 kW, 230 - 380 - 460Volt/60 Hz.

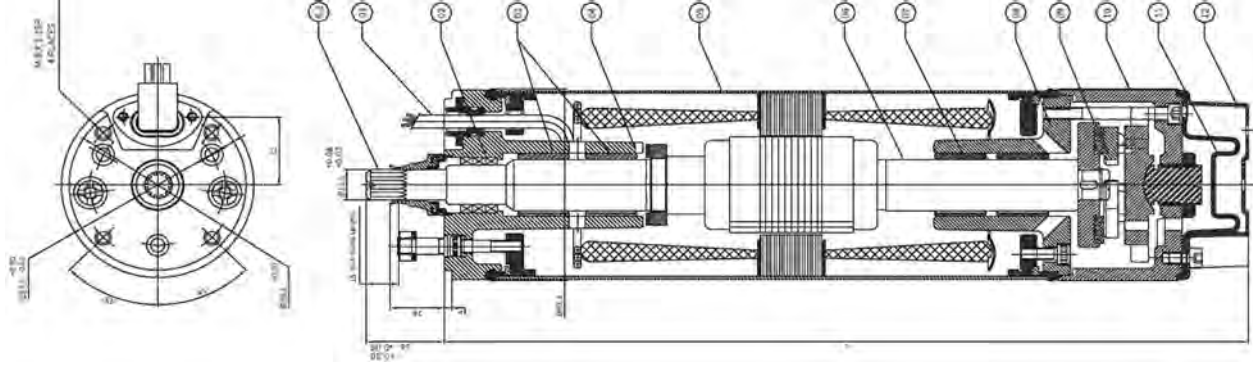
Motors with other Voltage and frequency ratings are also available on specific demand.



4" Rewindable Sub. Motors

4" WATER FILLED REWINDABLE MOTOR DESIGN

Exploded View of Spare Parts of Motors



| SRNO. | PART'SNAME | MATERIAL |
|-------|---------------------|-------------------------------------|
| 01 | CABLE 3 CORE/4 CORE | EPR/P.V.C |
| 02 | OIL SEAL | N.B.R |
| 03 | BEARING BUSH | CARBON |
| 04 | UPPER HOUSING | CAST IRON (FG 200) / S.S.304 |
| 05 | MOTOR SHELL | S.S.304 |
| 06 | ROTOR SHAFT | S.S.420 |
| 6.1 | SHAFT END | S.S.303 |
| 07 | BEARING BUSH | CARBON |
| 08 | LOWER HOUSING | CAST IRON (FG-200) |
| 09 | THRUST BEARING SET | CARBON / S.S.420 |
| 10 | LOWER PART-2 | CAST IRON (FG 200) WITH S.S. CLADED |
| 11 | PRESSURE CUP | N.B.R |
| 12 | MOTOR BASE | S.S.304 |
| 13 | ALL HARDWARE | S.S.316/304 |

| PN | KW | HP | L [mm] | Motor Weight [kg] | |
|------|------|-----|--------|-------------------|---------|
| | | | | CAST IRON | S.S.304 |
| 0.37 | 0.50 | 495 | 12.0 | 12.2 | 13.8 |
| 0.55 | 0.75 | 495 | 12.0 | 12.2 | 13.8 |
| 0.75 | 1.00 | 510 | 12.5 | 12.6 | 14.2 |
| 1.10 | 1.50 | 525 | 12.8 | 13.2 | 14.7 |
| 1.50 | 2.00 | 610 | 20.6 | 21.7 | 23.7 |
| 2.20 | 3.00 | 660 | 23.2 | 24.3 | 26.0 |
| 3.70 | 5.00 | 880 | 36.2 | 38.4 | 40.5 |

| PN | KW | HP | L [mm] | Motor Weight [kg] | |
|------|-------|-----|--------|-------------------|---------|
| | | | | CAST IRON | S.S.304 |
| 0.37 | 0.50 | 535 | 12.9 | 13.2 | 15.0 |
| 0.55 | 0.75 | 535 | 12.9 | 13.2 | 15.0 |
| 0.75 | 1.00 | 570 | 16.9 | 17.2 | 20.2 |
| 1.10 | 1.50 | 570 | 16.9 | 17.2 | 20.2 |
| 1.50 | 2.00 | 590 | 20.0 | 21.0 | 23.0 |
| 2.20 | 3.00 | 640 | 22.5 | 23.6 | 25.2 |
| 3.70 | 5.00 | 740 | 33.5 | 35.4 | 38.0 |
| 5.50 | 7.50 | 880 | 36.2 | 38.4 | 40.5 |
| 7.50 | 10.00 | 935 | 38.4 | 40.7 | 42.9 |



4" Rewindable Sub. Motors

Performance Data of 4" Rewindable Single Phase (W/L) Motors (220-230 Volt / 50 Hz) CSR

| PN [H.P.] | Thrust Load [N] | UN [V] | nN [min-1] | IN [A] | IA [A] | η [%] | | | cos φ | | | TN [Nm] | TA [Nm] | Capacitor Running F (UC=450V) |
|--------------|-----------------|--------|------------|--------|--------|-------|----|-----|-------|------|------|---------|---------|-------------------------------|
| | | | | | | 50 | 75 | 100 | 50 | 75 | 100 | | | |
| 0.50 | 1500 | 220 | 2855 | 3.21 | 10.6 | 37 | 49 | 56 | 0.89 | 0.93 | 0.96 | 1.21 | 0.93 | 72 |
| | | 230 | 2860 | 3.40 | 11.3 | 36 | 47 | 54 | 0.82 | 0.84 | 0.93 | 1.21 | 1.02 | |
| 0.75 | 1500 | 220 | 2845 | 4.19 | 15.38 | 47 | 58 | 64 | 0.91 | 0.94 | 0.97 | 1.86 | 1.28 | 72 |
| | | 230 | 2855 | 4.29 | 16.11 | 46 | 57 | 64 | 0.82 | 0.91 | 0.93 | 1.86 | 1.42 | |
| 1.00 | 1500 | 220 | 2845 | 5.79 | 20.21 | 45 | 56 | 61 | 0.95 | 0.98 | 0.99 | 2.45 | 1.99 | 72 |
| | | 230 | 2855 | 5.70 | 21.10 | 43 | 53 | 61 | 0.91 | 0.96 | 0.98 | 2.45 | 2.19 | |
| 1.50 | 3000 | 220 | 2850 | 8.41 | 30.11 | 47 | 58 | 64 | 0.91 | 0.95 | 0.98 | 3.70 | 2.81 | 72 |
| | | 230 | 2855 | 8.58 | 31.50 | 44 | 54 | 63 | 0.82 | 0.90 | 0.95 | 3.70 | 3.10 | |
| 2.00 | 3000 | 220 | 2805 | 10.59 | 33.91 | 52 | 62 | 68 | 0.92 | 0.95 | 0.98 | 4.97 | 3.28 | 72 |
| | | 230 | 2825 | 10.59 | 35.38 | 50 | 59 | 67 | 0.81 | 0.90 | 0.96 | 4.97 | 3.62 | |
| 3.00 | 4000 | 220 | 2815 | 16.00 | 54.1 | 52 | 60 | 64 | 0.95 | 0.96 | 0.99 | 7.41 | 4.37 | 108 |
| | | 230 | 2840 | 15.51 | 56.6 | 51 | 62 | 66 | 0.85 | 0.92 | 0.97 | 7.41 | 4.82 | |
| 4.00 | 4000 | 220 | 2810 | 20.1 | 72 | 55 | 61 | 66 | 0.94 | 0.96 | 0.96 | 10 | 6 | 108 |
| | | 230 | 2830 | 20.0 | 74 | 52 | 61 | 67 | 0.85 | 0.93 | 0.97 | 9.94 | 6.5 | |
| 5.50 | 4000 | 220 | 2815 | 25.5 | 92.0 | 55 | 62 | 67 | 0.95 | 0.96 | 0.97 | 13.7 | 8.90 | 108 |
| | | 230 | 2830 | 25.2 | 95.7 | 53 | 62 | 67 | 0.86 | 0.94 | 0.98 | 13.6 | 8.98 | |

Performance Data of 4" Rewindable Single Phase (W/L) Motors (220-230 Volt / 50 Hz) CSCR

| PN [H.P.] | Thrust Load [N] | UN [V] | nN [min-1] | IN [A] | IA [A] | η (Eff.) [%] at % load | | | cos φ (PF) at % load | | | TN [Nm] | TA [Nm] | Capacitor Running μF (UC=450V) | Capacitor Starting μF (UC=270V) |
|--------------|-----------------|--------|------------|--------|--------|------------------------|----|-----|----------------------|------|------|---------|---------|--------------------------------|---------------------------------|
| | | | | | | 50 | 75 | 100 | 50 | 75 | 100 | | | | |
| 0.50 | 1500 | 220 | 2890 | 4.21 | 15.11 | 50 | 60 | 62 | 0.51 | 0.64 | 0.74 | 1.21 | 2 | 72 | 100-120 |
| | | 230 | 2890 | 4.00 | 14.30 | 50 | 60 | 62 | 0.51 | 0.64 | 0.74 | 1.21 | 2 | | |
| 0.75 | 1500 | 220 | 2895 | 6.29 | 24.11 | 51 | 59 | 63 | 0.49 | 0.60 | 0.69 | 1.79 | 2.7 | 72 | 100-120 |
| | | 230 | 2895 | 6.00 | 23.00 | 51 | 59 | 63 | 0.49 | 0.60 | 0.69 | 1.79 | 2.7 | | |
| 1.00 | 1500 | 220 | 2890 | 7.59 | 29.5 | 55 | 63 | 64 | 0.55 | 0.66 | 0.76 | 2.51 | 4.1 | 72 | 100-120 |
| | | 230 | 2890 | 7.31 | 28.2 | 55 | 63 | 64 | 0.55 | 0.66 | 0.76 | 2.51 | 4.1 | | |
| 1.50 | 3000 | 220 | 2890 | 9.58 | 41.3 | 57 | 66 | 68 | 0.58 | 0.72 | 0.80 | 3.69 | 6.0 | 72 | 100-120 |
| | | 230 | 2890 | 8.90 | 39.5 | 57 | 66 | 68 | 0.58 | 0.72 | 0.80 | 3.69 | 6.0 | | |
| 2.00 | 3000 | 220 | 2880 | 11.58 | 55.7 | 61 | 67 | 68 | 0.70 | 0.82 | 0.88 | 4.89 | 8.28 | 72 | 100-120 |
| | | 230 | 2880 | 11.10 | 53.5 | 61 | 67 | 68 | 0.70 | 0.82 | 0.88 | 4.89 | 8.28 | | |
| 3.00 | 4000 | 220 | 2885 | 16.71 | 83 | 62 | 68 | 70 | 0.71 | 0.81 | 0.88 | 7.41 | 14 | 108 | 120-150 |
| | | 230 | 2885 | 15.89 | 87 | 62 | 68 | 70 | 0.71 | 0.81 | 0.88 | 7.41 | 14 | | |
| 4.00 | 4000 | 220 | 2885 | 20.6 | 103 | 62 | 68 | 71 | 0.73 | 0.82 | 0.88 | 9.75 | 18.5 | 108 | 120-150 |
| | | 230 | 2885 | 20.3 | 112 | 62 | 68 | 71 | 0.73 | 0.82 | 0.88 | 9.75 | 18.5 | | |
| 5.50 | 4000 | 220 | 2885 | 25.8 | 129 | 63 | 69 | 71 | 0.74 | 0.82 | 0.89 | 13.4 | 24.1 | 108 | 120-150 |
| | | 230 | 2885 | 25.6 | 141 | 63 | 69 | 71 | 0.74 | 0.82 | 0.89 | 13.4 | 24.1 | | |

- PN - Rated Output
- UN - Rated Voltage
- nN - RPM
- IN - Full Load Current
- IA - Starting Current
- η - Motor Efficiency
- cos φ - Power Factor
- TN - Full Load Torque
- TA - Starting Torque
- F(N) - Axial Thrust Load



4" Rewindable Sub. Motors

Performance Data of 4" Rewindable Three Phase Motors (380-415 Volt/50Hz)

| P _N [H.P.] | P _N [KW] | Thrust F [N] | U _N [V] | n _N [min-1] | I _N [A] | I _A [A] | η (Eff.) [%] at % load | | | cos φ (PF) at % load | | | T _N [Nm] | T _A [Nm] |
|--------------------------|------------------------|-----------------|-----------------------|---------------------------|-----------------------|-----------------------|---------------------------|----|-----|-------------------------|------|------|------------------------|------------------------|
| | | | | | | | 50 | 75 | 100 | 50 | 75 | 100 | | |
| 0.75 | 0.55 | 1500 | 380 | 2835 | 1.59 | 6.00 | 60 | 66 | 67 | 0.60 | 0.72 | 0.81 | 1.89 | 3.11 |
| | | | 400 | 2855 | 1.59 | 6.38 | 58 | 65 | 67 | 0.54 | 0.68 | 0.75 | 1.89 | 3.51 |
| | | | 415 | 2875 | 1.70 | 6.61 | 55 | 64 | 66 | 0.50 | 0.64 | 0.80 | 1.89 | 3.70 |
| 1.00 | 0.75 | 1500 | 380 | 2845 | 2.11 | 8.88 | 64 | 67 | 70 | 0.58 | 0.71 | 0.79 | 2.50 | 4.81 |
| | | | 400 | 2870 | 2.11 | 9.30 | 60 | 68 | 69 | 0.51 | 0.64 | 0.75 | 2.50 | 5.32 |
| | | | 415 | 2880 | 2.20 | 9.81 | 58 | 65 | 68 | 0.49 | 0.61 | 0.72 | 2.50 | 5.89 |
| 1.50 | 1.10 | 3000 | 380 | 2825 | 3.00 | 13.70 | 68 | 72 | 73 | 0.58 | 0.72 | 0.81 | 3.79 | 9.61 |
| | | | 400 | 2840 | 3.00 | 14.51 | 67 | 71 | 73 | 0.53 | 0.67 | 0.75 | 3.69 | 10.60 |
| | | | 415 | 2860 | 3.11 | 15.28 | 65 | 70 | 72 | 0.50 | 0.62 | 0.72 | 3.69 | 11.49 |
| 2.00 | 1.50 | 3000 | 380 | 2845 | 3.91 | 18.59 | 68 | 72 | 73 | 0.60 | 0.72 | 0.81 | 5.0 | 11.31 |
| | | | 400 | 2855 | 4.00 | 19.21 | 66 | 72 | 73 | 0.54 | 0.66 | 0.77 | 5.0 | 12.60 |
| | | | 415 | 2870 | 4.10 | 20.21 | 64 | 70 | 72 | 0.49 | 0.62 | 0.73 | 4.9 | 13.49 |
| 3.00 | 2.20 | 4000 | 380 | 2820 | 5.80 | 28.68 | 71 | 75 | 75 | 0.59 | 0.72 | 0.81 | 7.59 | 21.71 |
| | | | 400 | 2840 | 5.91 | 28.90 | 70 | 73 | 75 | 0.51 | 0.65 | 0.76 | 7.51 | 23.61 |
| | | | 415 | 2870 | 6.29 | 30.78 | 66 | 71 | 74 | 0.46 | 0.60 | 0.69 | 7.51 | 25.90 |
| 4.00 | 3.00 | 4000 | 380 | 2810 | 8.5 | 29.5 | 62 | 67 | 70 | 0.72 | 0.78 | 0.82 | 10 | 16 |
| | | | 400 | 2820 | 8.2 | 31.0 | 61 | 66 | 68 | 0.71 | 0.77 | 0.80 | 9.97 | 17.95 |
| | | | 415 | 2850 | 8.0 | 33.0 | 60 | 65 | 67 | 0.70 | 0.76 | 0.80 | 9.87 | 18.75 |
| 5.50 | 4.00 | 4000 | 380 | 2790 | 10.79 | 32.29 | 62 | 67 | 71 | 0.72 | 0.79 | 0.83 | 13.39 | 21.25 |
| | | | 400 | 2790 | 10.51 | 34.00 | 61 | 65 | 69 | 0.70 | 0.76 | 0.82 | 13.30 | 23.54 |
| | | | 415 | 2810 | 10.0 | 35.00 | 59 | 64 | 66 | 0.69 | 0.74 | 0.82 | 13.30 | 25.29 |
| 7.50 | 5.50 | 4000 | 380 | 2785 | 14.79 | 50.4 | 69 | 73 | 74 | 0.74 | 0.79 | 0.84 | 18.93 | 37.19 |
| | | | 400 | 2790 | 14.51 | 53.0 | 68 | 72 | 73 | 0.74 | 0.79 | 0.84 | 18.92 | 41.21 |
| | | | 415 | 2810 | 14.00 | 54.9 | 67 | 69 | 71 | 0.73 | 0.77 | 0.83 | 18.81 | 44.35 |
| 10.0 | 7.50 | 4000 | 380 | 2855 | 18.00 | 61.1 | 70 | 72 | 73 | 0.98 | 0.95 | 0.92 | 24.58 | 45.10 |
| | | | 400 | 2860 | 18.31 | 62.0 | 67 | 71 | 72 | 0.99 | 0.94 | 0.91 | 24.51 | 46.00 |
| | | | 415 | 2880 | 18.79 | 65.9 | 66 | 68 | 70 | 0.97 | 0.92 | 0.88 | 24.40 | 47.51 |

- P_N - Rated Output
- U_N - Rated Voltage
- n_N - RPM
- I_N - Full Load Current
- I_A - Starting Current
- η - Motor Efficiency
- cosφ - Power Factor
- T_N - Full Load Torque
- T_A - Starting Torque
- F(N) - Axial Thrust Load



4" Rewindable Sub. Motors

Performance Data of 4" Rewindable Single Phase (W/L) Motors / 60 Hz (CSR)

| PN [H.P.] | Thrust Load [N] | UN [V] | nN [min-1] | IN [A] | IA [A] | η (Eff.) [%] at % load | | | cos φ (PF) at % load | | | TN [Nm] | TA [Nm] | Capacitor Running μF (UC=450V) |
|--------------|--------------------|-----------|---------------|-----------|-----------|------------------------|----|-----|----------------------|------|------|------------|------------|-----------------------------------|
| | | | | | | 50 | 75 | 100 | 50 | 75 | 100 | | | |
| 0.5 | 3000 | 230 | 3450 | 4.2 | 10.7 | 43 | 53 | 60 | 0.76 | 0.79 | 0.88 | 1.02 | 0.86 | 72 |
| 0.75 | 3000 | 230 | 3450 | 5 | 15.4 | 50 | 60 | 67 | 0.83 | 0.91 | 0.95 | 1.53 | 1.16 | 72 |
| 1.0 | 3000 | 230 | 3460 | 7 | 20.2 | 46 | 55 | 62 | 0.90 | 0.95 | 0.98 | 2.03 | 1.81 | 72 |
| 1.5 | 3000 | 230 | 3450 | 9.5 | 30.1 | 49 | 59 | 67 | 0.81 | 0.88 | 0.93 | 3.06 | 2.57 | 72 |
| 2.0 | 3000 | 230 | 3450 | 12 | 33.9 | 53 | 63 | 70 | 0.83 | 0.91 | 0.96 | 4.07 | 2.97 | 72 |
| 3.0 | 4000 | 230 | 3430 | 16 | 54.2 | 58 | 68 | 73 | 0.87 | 0.94 | 0.98 | 6.15 | 4.00 | 108 |

Performance Data of 4" Rewindable Single Phase (W/L) Motors / 60 Hz (CSCR)

| PN [H.P.] | Thrust Load [N] | UN [V] | nN [min-1] | IN [A] | IA [A] | η (Eff.) [%] at % load | | | cos φ (PF) at % load | | | TN [Nm] | TA [Nm] | Capacitor Running μF (UC=450V) | Capacitor Starting μF (UC=270V) |
|--------------|--------------------|-----------|---------------|-----------|-----------|------------------------|----|-----|----------------------|------|------|------------|------------|-----------------------------------|------------------------------------|
| | | | | | | 50 | 75 | 100 | 50 | 75 | 100 | | | | |
| 0.5 | 3000 | 230 | 3480 | 4.2 | 15.2 | 57 | 64 | 67 | 0.50 | 0.59 | 0.68 | 1.01 | 1.68 | 72 | 100-120 |
| 0.75 | 3000 | 230 | 3485 | 6.5 | 24.2 | 57 | 65 | 68 | 0.49 | 0.59 | 0.70 | 1.51 | 2.27 | 72 | 100-120 |
| 1.0 | 3000 | 230 | 3490 | 7.8 | 30 | 54 | 62 | 65 | 0.53 | 0.64 | 0.73 | 2.01 | 3.3 | 72 | 100-120 |
| 1.5 | 3000 | 230 | 3490 | 9.6 | 41.5 | 60 | 67 | 70 | 0.59 | 0.70 | 0.79 | 3.04 | 4.92 | 72 | 100-120 |
| 2.0 | 3000 | 230 | 3480 | 12.5 | 55.3 | 63 | 71 | 74 | 0.69 | 0.80 | 0.89 | 4.04 | 6.87 | 72 | 100-120 |
| 3.0 | 4000 | 230 | 3475 | 16.5 | 82 | 67 | 74 | 77 | 0.70 | 0.81 | 0.89 | 6.07 | 11.5 | 108 | 120-150 |
| 5.5 | 4000 | 230 | 3450 | 26.0 | 130 | 68 | 74 | 77 | 0.70 | 0.82 | 0.98 | 11.2 | 21.2 | 108 | 200-250 |

- PN - Rated Output
- UN - Rated Voltage
- nn- RPM
- IN - Full Load Current
- IA - Starting Current
- η - Motor Efficiency
- cosφ - Power Factor
- TN - Full Load Torque
- TA - Starting Torque
- F(N)- Axial Thrust Load



4" Rewindable Sub. Motors

Performance Data of 4" Rewindable Three Phase Motors/60 Hz

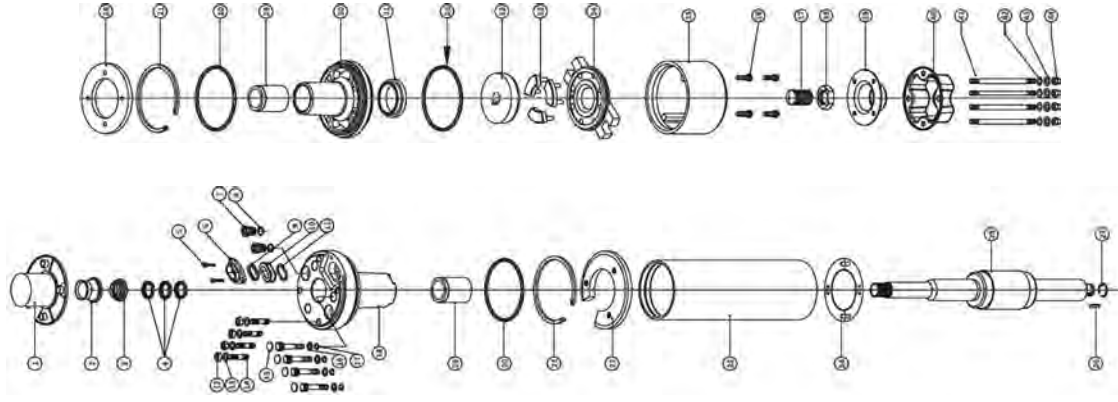
| P _N [H.P.] | P _N [kW] | Thrust Load [N] | U _N [V] | n _N [min-1] | I _N [A] | I _A [A] | η (Eff.) [%] at % load | | | cos φ (PF) at % load | | | T _N [Nm] | T _A [Nm] |
|--------------------------|------------------------|--------------------|-----------------------|---------------------------|-----------------------|-----------------------|------------------------|----|-----|----------------------|------|------|------------------------|------------------------|
| | | | | | | | 50 | 75 | 100 | 50 | 75 | 100 | | |
| 0.5 | 0.37 | 3000 | 230 | 3445 | 2.41 | 9.6 | 59 | 62 | 64 | 0.58 | 0.71 | 0.79 | 1.02 | 1.84 |
| | | | 380 | 3445 | 1.42 | 5.6 | 59 | 62 | 64 | 0.58 | 0.71 | 0.79 | 1.02 | 1.96 |
| | | | 460 | 3445 | 1.21 | 4.8 | 59 | 62 | 64 | 0.58 | 0.71 | 0.79 | 1.02 | 2.24 |
| 0.75 | 0.55 | 3000 | 230 | 3450 | 3.10 | 12.4 | 63 | 67 | 69 | 0.57 | 0.71 | 0.80 | 1.53 | 2.3 |
| | | | 380 | 3450 | 1.91 | 7.6 | 63 | 67 | 69 | 0.57 | 0.71 | 0.80 | 1.53 | 2.5 |
| | | | 460 | 3450 | 1.60 | 6.4 | 63 | 67 | 69 | 0.57 | 0.71 | 0.80 | 1.53 | 2.75 |
| 1.0 | 0.75 | 3000 | 230 | 3455 | 3.91 | 17.55 | 65 | 68 | 70 | 0.59 | 0.72 | 0.81 | 2.03 | 3.55 |
| | | | 380 | 3455 | 2.32 | 10.35 | 65 | 68 | 70 | 0.59 | 0.72 | 0.81 | 2.03 | 3.9 |
| | | | 460 | 3455 | 2.00 | 9 | 65 | 68 | 70 | 0.59 | 0.72 | 0.81 | 2.03 | 4.47 |
| 1.5 | 1.1 | 3000 | 230 | 3445 | 5.00 | 25 | 70 | 73 | 76 | 0.61 | 0.76 | 0.83 | 3.04 | 6.69 |
| | | | 380 | 3445 | 3.00 | 15 | 70 | 73 | 76 | 0.61 | 0.76 | 0.83 | 3.04 | 7.7 |
| | | | 460 | 3445 | 2.51 | 12.5 | 70 | 73 | 76 | 0.61 | 0.76 | 0.83 | 3.04 | 8.2 |
| 2.0 | 1.5 | 3000 | 230 | 3445 | 6.71 | 33.5 | 64 | 66 | 69 | 0.59 | 0.73 | 0.81 | 4.08 | 8.16 |
| | | | 380 | 3445 | 4.11 | 20.5 | 64 | 66 | 69 | 0.59 | 0.73 | 0.81 | 4.08 | 9.22 |
| | | | 460 | 3445 | 3.40 | 17 | 64 | 66 | 69 | 0.59 | 0.73 | 0.81 | 4.08 | 10.2 |
| 3.0 | 2.2 | 4000 | 230 | 3450 | 9.51 | 47.5 | 70 | 73 | 75 | 0.52 | 0.65 | 0.74 | 6.11 | 15.3 |
| | | | 380 | 3450 | 5.80 | 29 | 70 | 73 | 75 | 0.52 | 0.65 | 0.74 | 6.11 | 17.4 |
| | | | 460 | 3450 | 4.82 | 24 | 70 | 73 | 75 | 0.52 | 0.65 | 0.74 | 6.11 | 18.33 |
| 5.5 | 4.0 | 6500 | 230 | 3450 | 15.91 | 55.65 | 69 | 71 | 74 | 0.52 | 0.66 | 0.75 | 11.2 | 15.70 |
| | | | 380 | 3450 | 9.62 | 33.6 | 69 | 71 | 74 | 0.52 | 0.66 | 0.75 | 11.2 | 17.70 |
| | | | 460 | 3450 | 8.00 | 28 | 69 | 71 | 74 | 0.52 | 0.66 | 0.75 | 11.2 | 19.04 |
| 7.5 | 5.5 | 6500 | 230 | 3445 | 23.0 | 92 | 71 | 73 | 76 | 0.56 | 0.68 | 0.77 | 15.30 | 22.95 |
| | | | 380 | 3445 | 13.91 | 55.6 | 71 | 73 | 76 | 0.56 | 0.68 | 0.77 | 15.30 | 30.00 |
| | | | 460 | 3445 | 11.51 | 46 | 71 | 73 | 76 | 0.56 | 0.68 | 0.77 | 15.30 | 33.70 |
| 10.0 | 7.5 | 6500 | 230 | 3450 | 27.1 | 95 | 70 | 73 | 75 | 0.58 | 0.71 | 0.80 | 20.4 | 32.64 |
| | | | 380 | 3450 | 19.29 | 67.55 | 70 | 73 | 75 | 0.58 | 0.71 | 0.80 | 20.4 | 37.33 |
| | | | 460 | 3450 | 15.91 | 55.65 | 70 | 73 | 75 | 0.58 | 0.71 | 0.80 | 20.4 | 44.90 |

- P_N - Rated Output
- U_N - Rated Voltage
- n_N - RPM
- I_N - Full Load Current
- I_A - Starting Current
- η - Motor Efficiency
- cos φ - Power Factor
- T_N - Full Load Torque
- T_A - Starting Torque
- F(x) - Axial Thrust Load



4" Rewindable Sub. Motors

Exploded View of Spare Parts of Motors S.S. Motor Base

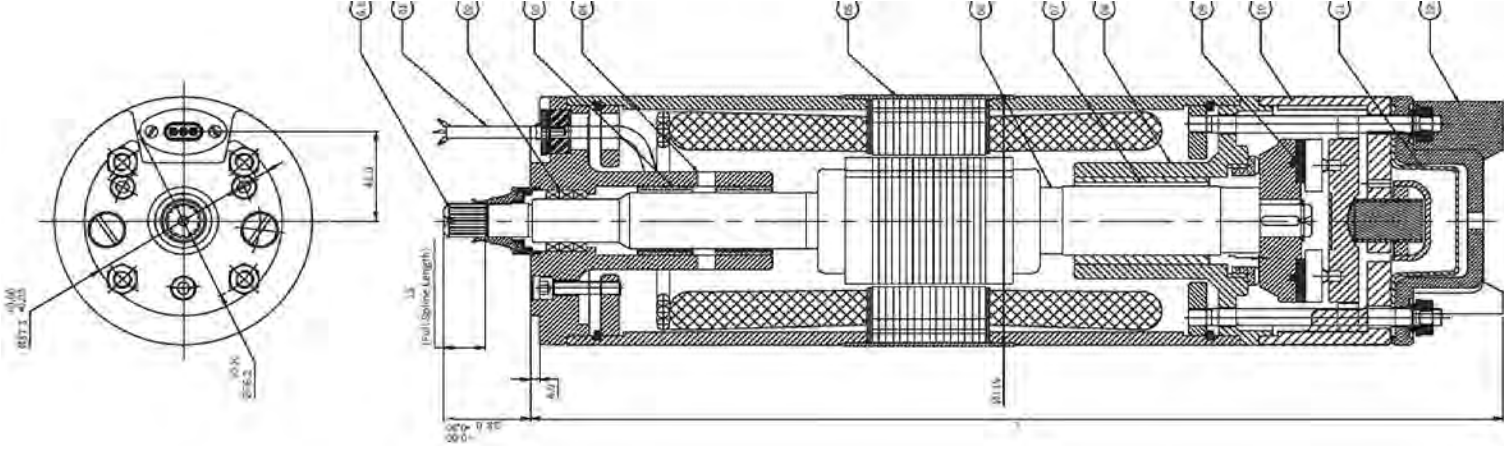


| No. | Part's Name |
|-----|--------------------------|
| 1 | Plastic Cap |
| 2 | Sand Guard (With Insert) |
| 3 | Upper Cap |
| 4 | Oil Seal |
| 5 | Cable Clip Screw |
| 6 | Cable Protector Cap |
| 7 | Drain Plug |
| 8 | Drain Plug 'O' Ring |
| 9 | Plastic Grommet Washer |
| 10 | Rubber Grommet |
| 11 | S.S. Grommet Washer |
| 12 | Hex Nut |
| 13 | Stud Washer |
| 14 | Upper Stud |
| 15 | Allen Bolt Cap |
| 16 | Allen Bolt Washer |
| 17 | Allen Bolt 'O' Ring |
| 18 | Upper Housing |
| 19 | Bearing Bush Upper Side |
| 20 | 'O' Ring |
| 21 | Cir Clip |
| 22 | Upper Flange |
| 23 | Stator Body |
| 24 | Winding Cap |
| 25 | Rotor Stamping |
| 26 | Rotor Key |
| 27 | Rotor Cir Clip |
| 28 | Lower Flange |
| 29 | Bearing Bush Lower Side |
| 30 | Lower Housing |
| 31 | Fiber C.T. Bearing |
| 32 | Carbon Plate |
| 33 | Segment |
| 34 | Counter Bearing |
| 35 | Lower Part - |
| 36 | Allen Bolt (Lower Side) |
| 37 | Rocker |
| 38 | Rocker Lock Nut |
| 39 | Pressure Cup |
| 40 | Motor Base |
| 41 | Lower Stud |
| 42 | Stud 'O' Ring |
| 43 | Stud Washer |
| 44 | Dome Nut |



5" Rewindable Sub. Motors

5" REWINDABLE MOTOR DESIGN



| SR.NO. | PART'S NAME | MATERIAL |
|--------|---------------------|---------------------|
| 01 | CABLE 3 CORE/4 CORE | EPR/P.V.C |
| 02 | OIL SEAL | N.B.R |
| 03 | BEARING BUSH | L.T.B4 2%NI |
| 04 | UPPER HOUSING | CAST IRON (F.G 200) |
| 05 | MOTOR SHELL | S.S.304 |
| 06 | ROTOR SHAFT | S.S.420 |
| 6.1 | SHAFT END | S.S.303 |
| 07 | BEARING BUSH | L.T.B4 (2%NI) |
| 08 | LOWER HOUSING | CAST IRON(FG-200) |
| 09 | THRUST BEARING SET | CARBON / 5.5420 |
| 10 | LOWER PART-2 | CAST IRON (FG-200) |
| 11 | PRESSURE CUP | N.B.R |
| 12 | MOTOR BASE | N.B.R |
| 13 | ALL HARDWARE | S.S.316/304 |

| pN | [kw] [HP] (T.P) | PW L[mm] C.I | Motor Weight | Motor Weight |
|------|-----------------------|--------------------|--------------|--------------------|
| | | | [kg] | (incl. pack.) (kg) |
| 1.10 | 1.50 | 520.00 | 21.9 | 23.9 |
| 1.50 | 2.00 | 545.00 | 23.0 | 25.0 |
| 2.20 | 3.00 | 565.00 | 23.9 | 25.9 |
| 2.94 | 4.00 | 565.00 | 23.9 | 25.9 |
| 4.00 | 5.50 | 630.00 | 26.7 | 28.7 |
| 5.50 | 7.50 | 695.00 | 29.5 | 31.5 |
| 7.50 | 10.00 | 815.00 | 34.6 | 36.6 |
| 9.30 | 12.50 | 880.00 | 37.3 | 39.3 |



5" Rewindable Sub. Motors

Performance Data of 5" Rewindable Aqua Lite Submersible Motors / SOHz

| P N [H.P.] | Thrust F [N] | U N [V] | n N [min-1] | I N [A] | I A [A] | η (Eff) [%] at % load | | | | COS P (PF) At % load | | | T N [Nm] | T A [Nm] |
|---------------|-----------------|------------|----------------|------------|------------|-----------------------|----|-----|----|-------------------------|------|-------|-------------|-------------|
| | | | | | | 50 | 75 | 100 | 50 | 75 | 100 | | | |
| 1.50 | 4000 | 380 | 2860 | 3.20 | 15.0 | 68 | 71 | 71 | 62 | 0.70 | 0.71 | 3.69 | 9.22 | |
| | | 400 | 2870 | 3.30 | 15.7 | 67 | 71 | 72 | 60 | 0.67 | 0.72 | 3.67 | 9.35 | |
| | | 415 | 2870 | 3.40 | 16.3 | 65 | 70 | 72 | 55 | 0.65 | 0.72 | 3.67 | 9.60 | |
| 2.00 | 4000 | 380 | 2860 | 4.10 | 19.5 | 70 | 72 | 73 | 60 | 0.70 | 0.78 | 4.91 | 11.80 | |
| | | 400 | 2865 | 4.20 | 20.2 | 66 | 72 | 73 | 55 | 0.66 | 0.77 | 4.90 | 11.85 | |
| | | 415 | 2870 | 4.30 | 20.6 | 66 | 70 | 72 | 52 | 0.62 | 0.75 | 4.89 | 11.93 | |
| 3.00 | 15500 | 380 | 2865 | 6.00 | 21.0 | 68 | 69 | 72 | 66 | 0.70 | 0.70 | 7.36 | 13.25 | |
| | | 400 | 2870 | 6.15 | 21.8 | 67 | 68 | 71 | 65 | 0.70 | 0.69 | 7.34 | 13.60 | |
| | | 415 | 2875 | 6.25 | 22.5 | 66 | 67 | 70 | 64 | 0.69 | 0.68 | 7.33 | 13.90 | |
| 4.00 | 15500 | 380 | 2860 | 9.00 | 31.5 | 70 | 70 | 72 | 65 | 0.70 | 0.72 | 9.83 | 17.70 | |
| | | 400 | 2875 | 9.20 | 32.8 | 69 | 70 | 72 | 64 | 0.69 | 0.70 | 9.78 | 18.00 | |
| | | 415 | 2875 | 9.30 | 33.6 | 69 | 68 | 71 | 64 | 0.69 | 0.69 | 9.78 | 18.40 | |
| 5.50 | 15500 | 380 | 2870 | 10.20 | 35.7 | 70 | 70 | 72 | 68 | 0.70 | 0.73 | 13.47 | 24.90 | |
| | | 400 | 2875 | 10.40 | 37.0 | 69 | 70 | 71 | 66 | 0.69 | 0.71 | 13.44 | 25.00 | |
| | | 415 | 2875 | 10.60 | 37.4 | 69 | 68 | 71 | 65 | 0.70 | 0.71 | 13.44 | 25.54 | |
| 7.50 | 15500 | 380 | 2875 | 13.40 | 46.9 | 71 | 72 | 73 | 70 | 0.71 | 0.75 | 18.33 | 34.80 | |
| | | 400 | 2880 | 13.20 | 46.9 | 70 | 69 | 72 | 69 | 0.70 | 0.75 | 18.30 | 35.90 | |
| | | 415 | 2885 | 13.10 | 47.2 | 70 | 70 | 72 | 69 | 0.70 | 0.74 | 18.27 | 36.50 | |
| 10.0 | 15500 | 380 | 2880 | 18.10 | 63.4 | 70 | 72 | 74 | 72 | 0.74 | 0.75 | 24.40 | 46.40 | |
| | | 400 | 2885 | 17.50 | 63.9 | 70 | 73 | 75 | 71 | 0.72 | 0.75 | 24.36 | 46.77 | |
| | | 415 | 2885 | 17.50 | 64.0 | 69 | 70 | 73 | 70 | 0.72 | 0.74 | 24.36 | 47.80 | |
| 12.5 | 15500 | 380 | 2880 | 20.50 | 73.0 | 72 | 72 | 74 | 74 | 0.74 | 0.75 | 30.50 | 57.90 | |
| | | 400 | 2885 | 20.40 | 74.5 | 71 | 73 | 75 | 72 | 0.72 | 0.75 | 30.45 | 58.50 | |
| | | 415 | 2885 | 20.20 | 74.7 | 70 | 71 | 73 | 70 | 0.71 | 0.74 | 30.45 | 59.40 | |

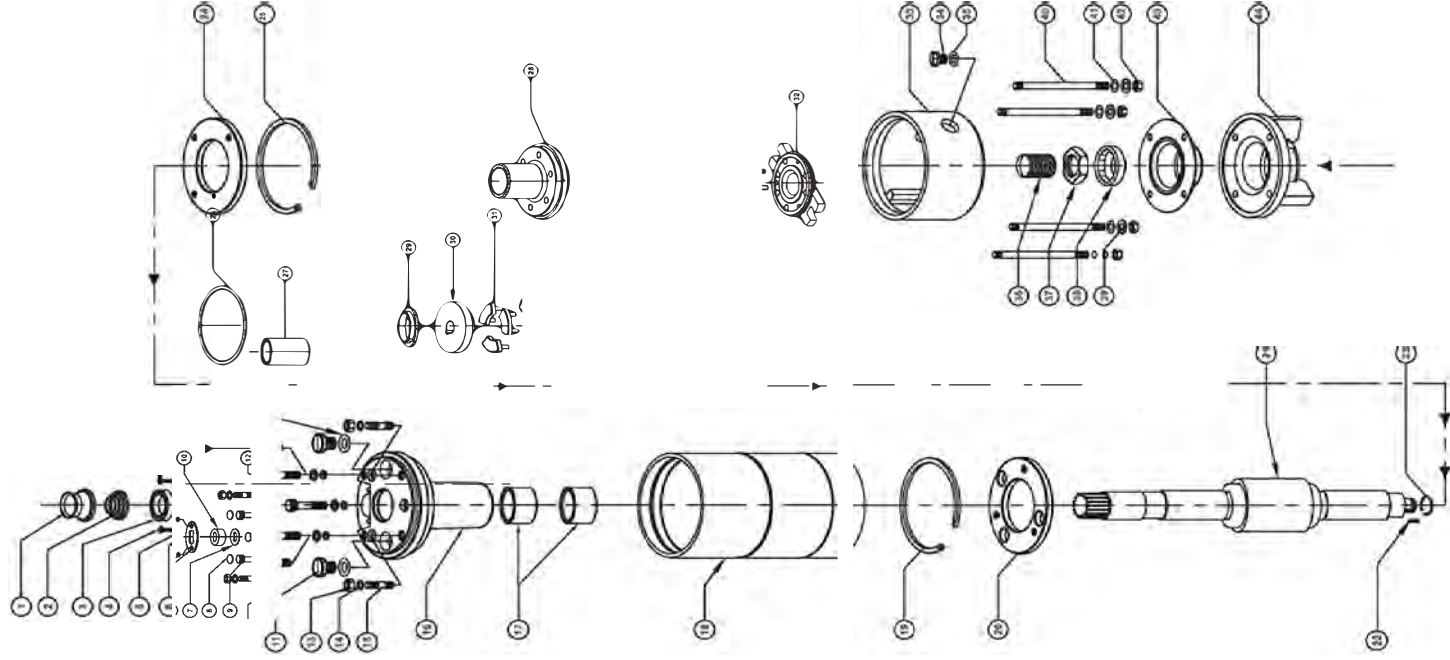
- PN - Rated Output
- UN - Rated Voltage
- nN - RPM
- IN - Full Load Current
- IA - Starting Current

- η - Motor Efficiency
- cos(p) - Power Factor
- TN - Full Load Torque
- TA - Starting Torque
- F(N) - Axial Thrust Load



5" Rewindable Sub. Motors

Exploded View of Spare Parts of Motors



| No. | Part's Name |
|-----|-------------------------|
| 1 | Sand Guard |
| 2 | Upper Cap |
| 3 | Oil Seal |
| 4 | Cable Clip Screw |
| 5 | Cable Clip Screw Washer |
| 6 | Cable Clip |
| 7 | Cable Grommet Washer |
| 8 | Allen Bolt Cap |
| 9 | Allen Bolt |
| 10 | Cable Grommet |
| 11 | Drain Plug |
| 12 | Drain Plug 'O' Ring |
| 13 | Hex Nut |
| 14 | Upper Stud Washer |
| 15 | Upper Stud |
| 16 | Upper Housing |
| 17 | Bearing Bush |
| 18 | Stator Body |
| 19 | CirClip |
| 20 | Upper Flange |
| 21 | Rotor |
| 22 | Rotor Key |
| 23 | Rotor CirClip |
| 24 | Lower Flange |
| 25 | CirClip |
| 26 | Paper Gasket |
| 27 | Bearing Bush |
| 28 | Lower Housing |
| 29 | C.T. Bearing |
| 30 | Carbon Bearing |
| 31 | Segment |
| 32 | Counter |
| 33 | Lower Part-2 |
| 34 | Drain Plug |
| 35 | Drain Plug 'O' Ring |
| 36 | Rocker |
| 37 | Rocker Lock Nut |
| 38 | Rocker Lock Nut Cap |
| 39 | Stud Washer |
| 40 | Lower Stud |
| 41 | Stud 'O' Ring |
| 42 | Hex Nut |
| 43 | Pressure Cup |
| 44 | Motor Base |



6" Rewindable Sub. Motors

TECHNICAL SPECIFICATIONS:

6" SISTEMA Water Lubricated Submersible Motors are rewindable. Coupling dimensions as per NEMA standard.

Winding wire: Polywrapped/ PVC winding available on specific demand Degree of protection: IP68.

Max water temperature : 35' C.

Starts per hour : 30 times (Max.).

Allowable voltage variation: +6% - 10%.

Motor shaft of Stainless steel.

Stator shell of Stainless steel.

Max depth immersion: 350 M.

Mounting: vertical/ horizontal.

Motor Cable length: 3 Meter/ 3 Core with separate earth cable & 4 Core. Cooling Flow: $V=0.2 M/S$.

Coolant: Clear Water.

VERSIONS:

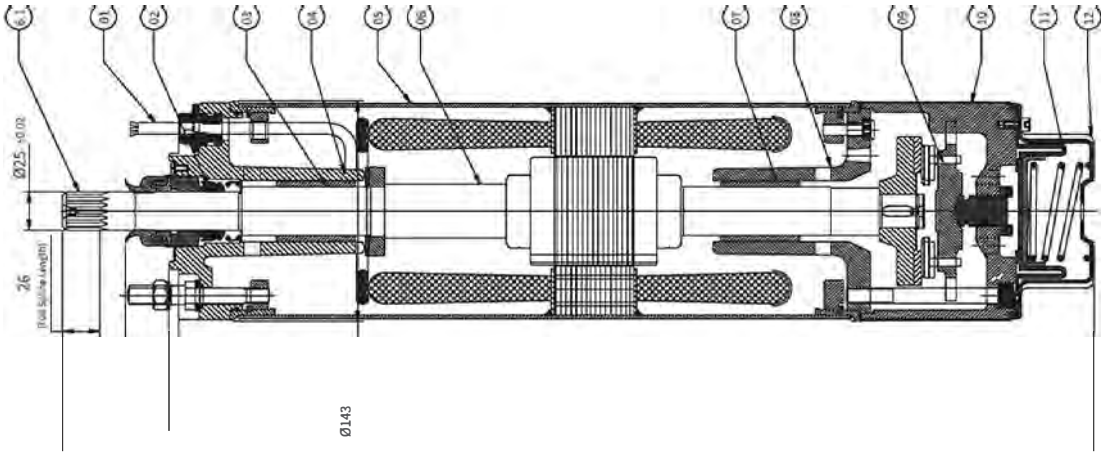
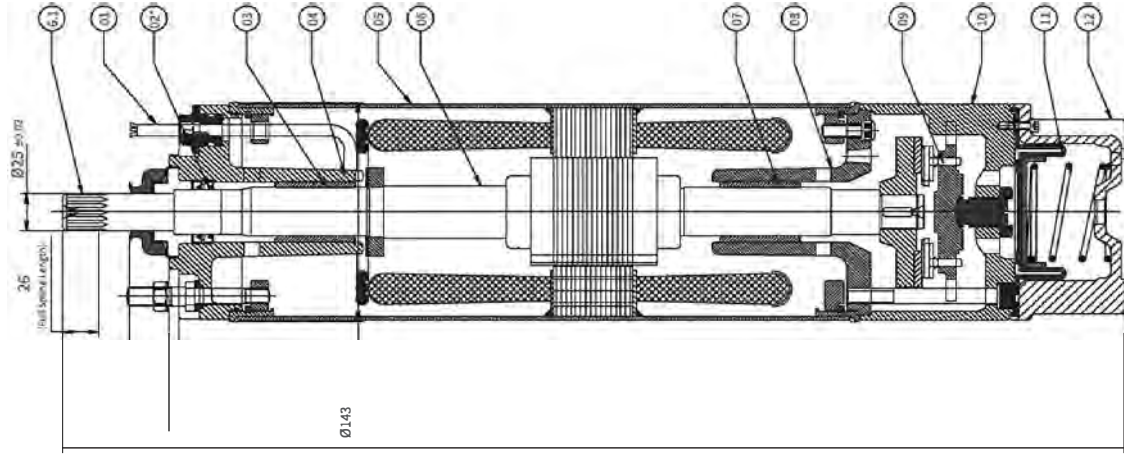
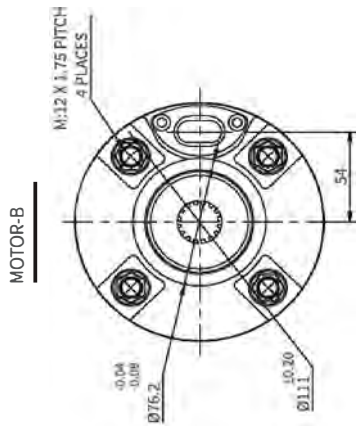
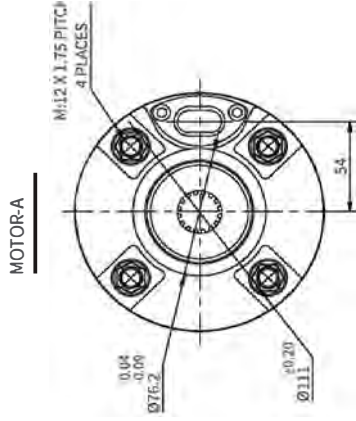
Three Phase: 2.20 kW To 37.5 kW/ 380-415 VolV 50 Hz.
2.20 kW To 37.5 kW/ 230 - 380 - 460Volt/60 Hz.

Motors with other Voltage and frequency ratings are available on specific Demand.



6" Rewindable Sub. Motors

6" REWINDABLE MOTOR DESIGN





6" Rewindable Sub. Motors

| MOTOR-A | | |
|---------|--------------------|---------------------|
| SRNO | PART'SNAME | MATERIAL |
| 01 | CABLE 3 CORE/4CORE | EPR |
| 02 | OIL SEAL | N.B.R |
| 02 | MECH / SEAL' | CARBON/CIRAMIC |
| 03 | BEARING BUSH | CARBON |
| 04 | UPPER HOUSING | CAST IRON (F.G 200) |
| 05 | MOTOR SHELL | S.S.304 |
| 06 | ROTOR SHAFT | S.S.420 |
| 6.1 | SHAFT END | S.S.303 |
| 07 | BEARING BUSH | CARBON |
| 08 | LOWER HOUSING | CAST IRON (F.G 200) |
| 09 | THRUST BEARING SET | CARBON / S.S.420 |
| 10 | LOWER PART-2 | CAST IRON (F.G 200) |
| 11 | PRESSURE CUP | N.B.R |
| 12 | MOTOR BASE | CAST IRON (F.G 200) |
| 13 | ALL HARDWARE | S.S.316/304 |

| MOTOR-B | | |
|---------|---------------------|-------------------------------|
| SRNO | PART'SNAME | MATERIAL |
| 01 | CABLE 3 CORE/4 CORE | EPR |
| 02 | MECH. SEAL | CARBON/CIRAMIC |
| 03 | BEARING BUSH | CARBON |
| 04 | UPPER HOUSING | CAST IRON(F.G 200)/S.S.304 |
| 05 | MOTOR SHELL | S.S.304 |
| 06 | ROTOR SHAFT | S.S.420 |
| 6.1 | SHAFT END | S.S.303 |
| 07 | SEARING BUSH | CARBON |
| 08 | LOWER HOUSING | CAST IRON(F.G 200) |
| 09 | THRUST BEARING SET | CARBON / S.S.420 |
| 10 | LOWER PART-2 | CAST IRON (fG 200) WITH N.B.R |
| 11 | PRESSURE CUP | S.S. CU. OIL |
| 12 | MOTOR BASE | S.S.304 |
| 13 | ALL HARDWARE | S.S.316/304 |

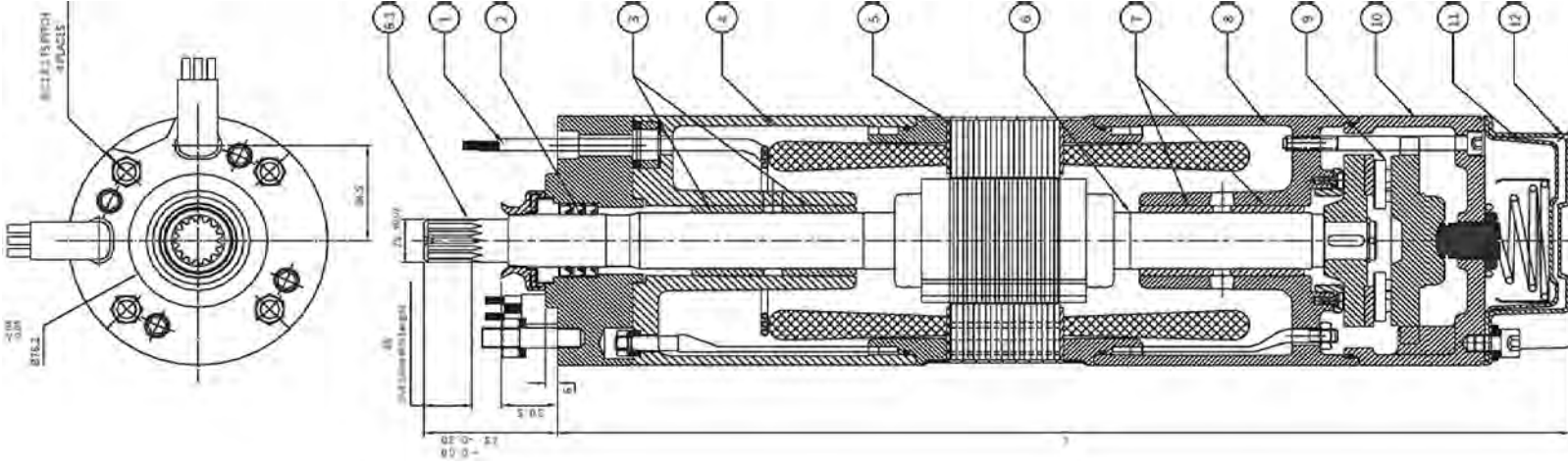
ON DEMAND MECH SEAL'

| PN | PW L[mm] | | PW L[mm] | Motor Weight [kg] | | Motor Weight (incl.pkg) [kg] | | |
|------|----------|------|----------|-------------------|-------|------------------------------|-----------|----------|
| | [kW] | [hp] | | C.I. | S.S. | | Cast Iron | S.S. 304 |
| 2.2 | 3.00 | 657 | 637 | 24.0 | 20.0 | 27.0 | 24.0 | |
| 3.7 | 5.00 | 667 | 647 | 39.0 | 35.0 | 42.7 | 39.4 | |
| 4.1 | 5.50 | 682 | 662 | 43.0 | 39.0 | 46.7 | 43.4 | |
| 5.5 | 7.50 | 747 | 727 | 46.0 | 49.0 | 51.2 | 54.2 | |
| 7.5 | 10.00 | 777 | 757 | 50.0 | 54.0 | 54.2 | 57.8 | |
| 9.3 | 12.50 | 803 | 787 | 53.0 | 59.0 | 56.8 | 63.0 | |
| 11.0 | 15.00 | 847 | 827 | 61.0 | 63.0 | 64.8 | 66.6 | |
| 13.0 | 17.50 | 897 | 877 | 64.0 | 67.0 | 67.7 | 70.7 | |
| 15.0 | 20.00 | 937 | 917 | 70.0 | 71.0 | 74.6 | 75.2 | |
| 18.5 | 25.00 | 992 | 972 | 76.0 | 80.0 | 79.8 | 83.5 | |
| 22.0 | 30.00 | 1067 | 1047 | 90.0 | 90.0 | 94.2 | 94.3 | |
| 26.0 | 35.00 | 1127 | 1107 | 94.0 | 97.0 | 98.0 | 101.0 | |
| 30.0 | 40.00 | 1247 | 1227 | 102.0 | 100.0 | 108.0 | 105.0 | |
| 37.0 | 50.00 | 1347 | 1347 | 127.5 | 125.5 | 133.5 | 130.5 | |



6" Rewindable Sub. Motors

6" CI-TYPE RE-WINDABLE MOTOR DESIGN



| SRNO | PART'S NAME | MATERIAL |
|------|---------------------|--------------------------------------|
| 01 | CABLE 3 CORE/4 CORE | E.P.R |
| 02 | OIL SEAL | N.B.R |
| 02 | MECH / SEAL' | CARBON/CI RAMIC |
| 03 | BEARING BUSH | CARBON |
| 04 | UPPER HOUSING | CAST IRON (F.G 200) |
| 05 | MOTOR SHELL | S.S.304 |
| 06 | ROTOR SHAFT | S.S.420 |
| 6.1 | SHAFT END | S.S.303 |
| 07 | BEARING BUSH | CARBON |
| 08 | LOWER HOUSING | CAST IRON (F.G 200) |
| 09 | THRUST BEARING SET | CARBON / S.S.420 |
| 10 | LOWER PART-2 | CAST IRON (F.G 200) WITH S.S. C ADEO |
| 11 | PRESSURE CUP | N.B.R |
| 12 | MOTOR BASE | S.S.304 |
| 13 | ALL HARDWARE | S.S.316/304 |

ON DEMAND MECH SEAL'

| PN | [kW] | [HP] | PW L [mm] | Motor Weight | |
|------|-------|------|--------------|--------------|-------------------|
| | | | | [kg] | (incl.pack.) [kg] |
| | | | C.I. | Cast Iron | Cast Iron |
| 2.20 | 3.00 | | 590 | 20.0 | 24.0 |
| 2.94 | 4.00 | | 590 | 20.0 | 24.0 |
| 3.70 | 5.00 | | 605 | 35.0 | 39.4 |
| 3.70 | 5.00 | | 615 | 39.0 | 43.4 |
| 4.40 | 6.00 | | 630 | 44.0 | 49.5 |
| 5.50 | 7.50 | | 695 | 49.0 | 54.6 |
| 7.50 | 10.00 | | 725 | 54.0 | 58.2 |
| 9.30 | 12.50 | | 755 | 59.0 | 63.0 |
| 11.0 | 15.00 | | 795 | 62.0 | 66.0 |
| 13.0 | 17.50 | | 845 | 67.0 | 70.7 |
| 15.0 | 20.0 | | 885 | 70.0 | 74.2 |
| 18.5 | 25.00 | | 940 | 76.0 | 80.2 |
| 22.0 | 30.00 | | 1015 | 85.0 | 89.2 |
| 26.0 | 35.00 | | 1075 | 97.0 | 101.0 |
| 30.0 | 40.00 | | 1195 | 104.0 | 108.4 |
| 37.0 | 50.00 | | 1295 | 113.0 | 117.8 |



6" Rewindable Sub. Motors

Performance Data of 6" Aqualite Submersible Motors/50Hz

| PN (H.P.) | Thrust F(N) | UN M | nN [min-1] | IN [A] | IA [A] | η (Eff.)(%) at % load | | | COS(p) (PF) at load | | | TN [Nm] | TA [Nm] |
|--------------|----------------|---------|---------------|-----------|-----------|--------------------------|----|-----|------------------------|------|------|------------|------------|
| | | | | | | 50 | 75 | 100 | 50 | 75 | 100 | | |
| 3.00 | 2.2 | 15500 | 380 | 2845 | 6.21 | 21.7 | 62 | 61 | 62 | 0.68 | 0.70 | 7.41 | 10.63 |
| 3.00 | 2.2 | 15500 | 400 | 2875 | 6.30 | 22.2 | 61 | 63 | 65 | 0.64 | 0.70 | 7.30 | 11.78 |
| 3.00 | 2.2 | 15500 | 415 | 2875 | 6.51 | 23.1 | 59 | 66 | 67 | 0.61 | 0.69 | 7.30 | 12.66 |
| 5.50 | 4 | 15500 | 380 | 2915 | 10.39 | 47 | 71 | 74 | 76 | 0.60 | 0.71 | 13.11 | 15.50 |
| 5.50 | 4 | 15500 | 400 | 2935 | 10.61 | 50 | 69 | 73 | 76 | 0.54 | 0.66 | 13.11 | 17.31 |
| 5.50 | 4 | 15500 | 415 | 2935 | 10.90 | 52 | 66 | 72 | 76 | 0.50 | 0.60 | 13.00 | 18.82 |
| 7.50 | 5.5 | 15500 | 380 | 2865 | 13.71 | 47 | 73 | 76 | 76 | 0.68 | 0.79 | 18.31 | 15.40 |
| 7.50 | 5.5 | 15500 | 400 | 2885 | 13.30 | 50 | 72 | 76 | 76 | 0.62 | 0.75 | 18.20 | 17.30 |
| 7.50 | 5.5 | 15500 | 415 | 2890 | 13.41 | 54 | 72 | 75 | 75 | 0.60 | 0.71 | 18.10 | 18.70 |
| 10.0 | 7.5 | 15500 | 380 | 2870 | 18.29 | 58 | 77 | 78 | 78 | 0.70 | 0.80 | 25.10 | 19.20 |
| 10.0 | 7.5 | 15500 | 400 | 2890 | 17.70 | 63 | 76 | 78 | 78 | 0.66 | 0.75 | 24.80 | 21.40 |
| 10.0 | 7.5 | 15500 | 415 | 2890 | 17.70 | 64 | 73 | 74 | 77 | 0.62 | 0.74 | 24.80 | 23.40 |
| 12.5 | 9.3 | 15500 | 380 | 2855 | 22.00 | 75 | 79 | 80 | 79 | 0.70 | 0.80 | 31.11 | 25.91 |
| 12.5 | 9.3 | 15500 | 400 | 2860 | 21.30 | 77 | 79 | 79 | 78 | 0.63 | 0.75 | 31.00 | 29.00 |
| 12.5 | 9.3 | 15500 | 415 | 2885 | 21.10 | 81 | 77 | 79 | 78 | 0.60 | 0.72 | 30.91 | 31.42 |
| 15.0 | 11 | 15500 | 380 | 2865 | 25.79 | 93 | 77 | 80 | 78 | 0.71 | 0.80 | 36.60 | 31.50 |
| 15.0 | 11 | 15500 | 400 | 2880 | 25.21 | 97 | 77 | 80 | 80 | 0.66 | 0.75 | 36.40 | 35.30 |
| 15.0 | 11 | 15500 | 415 | 2890 | 25.10 | 101 | 75 | 78 | 80 | 0.61 | 0.73 | 36.30 | 38.10 |
| 17.5 | 13 | 15500 | 380 | 2885 | 30.11 | 117 | 79 | 81 | 80 | 0.69 | 0.79 | 43.20 | 45.00 |
| 17.5 | 13 | 15500 | 400 | 2900 | 29.60 | 126 | 78 | 80 | 81 | 0.62 | 0.75 | 42.70 | 50.20 |
| 17.5 | 13 | 15500 | 415 | 2905 | 29.71 | 131 | 77 | 79 | 81 | 0.58 | 0.70 | 42.60 | 54.50 |
| 20.0 | 15 | 15500 | 380 | 2880 | 33.91 | 140 | 80 | 82 | 81 | 0.72 | 0.82 | 49.71 | 53.80 |
| 20.0 | 15 | 15500 | 400 | 2895 | 33.10 | 147 | 80 | 81 | 81 | 0.66 | 0.78 | 49.40 | 60.30 |
| 20.0 | 15 | 15500 | 415 | 2900 | 33.00 | 155 | 78 | 80 | 81 | 0.61 | 0.74 | 49.20 | 65.40 |
| 25.0 | 18.5 | 15500 | 380 | 2870 | 42.31 | 171 | 80 | 82 | 81 | 0.68 | 0.79 | 61.72 | 75.21 |
| 25.0 | 18.5 | 15500 | 400 | 2880 | 42.00 | 182 | 77 | 80 | 81 | 0.61 | 0.73 | 61.22 | 84.30 |
| 25.0 | 18.5 | 15500 | 415 | 2895 | 42.49 | 188 | 76 | 80 | 80 | 0.58 | 0.71 | 61.00 | 91.20 |
| 30.0 | 22 | 15500 | 380 | 2875 | 49.11 | 217 | 82 | 83 | 84 | 0.69 | 0.78 | 72.62 | 91.10 |
| 30.0 | 22 | 15500 | 400 | 2900 | 49.00 | 231 | 80 | 82 | 83 | 0.61 | 0.74 | 72.48 | 102.10 |
| 30.0 | 22 | 15500 | 415 | 2910 | 49.59 | 239 | 76 | 81 | 82 | 0.57 | 0.68 | 72.20 | 110.60 |
| 35.0 | 26 | 15500 | 380 | 2890 | 57.49 | 267 | 82 | 84 | 83 | 0.69 | 0.79 | 86.10 | 120.40 |
| 35.0 | 26 | 15500 | 400 | 2905 | 56.72 | 283 | 81 | 82 | 83 | 0.60 | 0.74 | 85.50 | 134.80 |
| 35.0 | 26 | 15500 | 415 | 2910 | 57.30 | 295 | 77 | 83 | 83 | 0.56 | 0.70 | 85.20 | 146.20 |
| 40.0 | 30 | 27500 | 380 | 2895 | 66.39 | 329 | 81 | 84 | 83 | 0.68 | 0.77 | 98.82 | 135.00 |
| 40.0 | 30 | 27500 | 400 | 2910 | 66.42 | 346 | 80 | 82 | 82 | 0.61 | 0.74 | 98.41 | 151.00 |
| 40.0 | 30 | 27500 | 415 | 2910 | 67.50 | 360 | 77 | 81 | 82 | 0.56 | 0.69 | 98.22 | 164.00 |
| 50.0 | 37 | 27500 | 380 | 2890 | 82.00 | 406 | 82 | 83 | 83 | 0.68 | 0.79 | 122.00 | 192.70 |
| 50.0 | 37 | 27500 | 400 | 2910 | 81.92 | 432 | 81 | 82 | 83 | 0.60 | 0.73 | 121.50 | 215.70 |
| 50.0 | 37 | 27500 | 415 | 2910 | 83.91 | 449 | 78 | 80 | 82 | 0.56 | 0.67 | 121.20 | 234.10 |

- PN • Rated Output
- UN • Rated Voltage
- nN-RPM
- IN • Full Load Current
- IA • Starting Current
- n • Motor Efficiency
- cosϕ • Power Factor
- TN • Full Load Torque
- TA • Starting Torque
- F[IN] • Axial Thrust Load



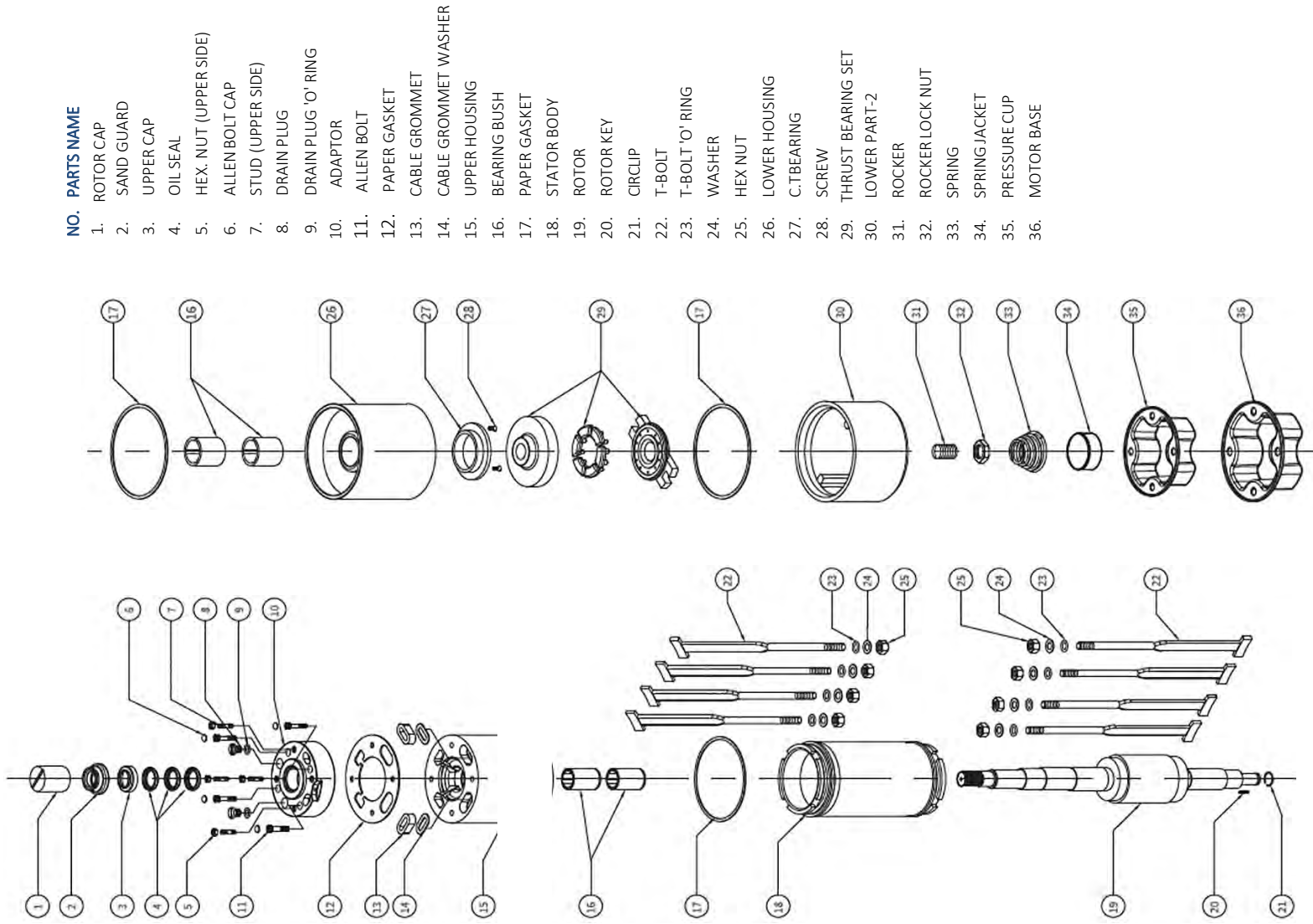
6" Rewindable Sub. Motors

Performance Data of 6" Aqualite Submersible Motors/60 Hz

| PN [H.P.] | P (max) [kW] | Thrust Load [N] | UN M | nN [min-1] | IN [A] | IA [A] | TI (Eff.)[%] at load | | | | COS(p)(PF) at% load | | | | TN [Nm] | TA [Nm] |
|--------------|-----------------|-----------------------|---------|---------------|-----------|-----------|-------------------------|----|-----|----|------------------------|------|------|-------|------------|------------|
| | | | | | | | 50 | 75 | 100 | 50 | 75 | 100 | 50 | 75 | | |
| 3.00 | 2.2 | 2.5 | 15500 | 230 | 3520 | 10 | 40 | 70 | 73 | 76 | 0.51 | 0.62 | 0.72 | 6.64 | 9.8 | |
| 3.00 | 2.2 | 2.5 | 15500 | 380 | 3530 | 6.51 | 33 | 66 | 71 | 76 | 0.50 | 0.61 | 0.70 | 5.97 | 8.00 | |
| 3.00 | 2.2 | 2.5 | 15500 | 460 | 3520 | 5.59 | 28 | 70 | 75 | 77 | 0.55 | 0.65 | 0.74 | 6.64 | 8.13 | |
| 5.50 | 4 | 4.6 | 15500 | 230 | 3520 | 26.11 | 105 | 71 | 75 | 77 | 0.53 | 0.64 | 0.73 | 12.49 | 18.6 | |
| 5.50 | 4 | 4.6 | 15500 | 380 | 3530 | 13.30 | 62 | 67 | 72 | 77 | 0.51 | 0.64 | 0.71 | 12.41 | 15.1 | |
| 5.50 | 4 | 4.6 | 15500 | 460 | 3520 | 10.11 | 51 | 71 | 76 | 78 | 0.56 | 0.68 | 0.75 | 12.48 | 15.3 | |
| 7.50 | 5.5 | 6.3 | 15500 | 230 | 3490 | 26.11 | 106 | 74 | 78 | 78 | 0.62 | 0.73 | 0.80 | 17.29 | 15.9 | |
| 7.50 | 5.5 | 6.3 | 15500 | 380 | 3480 | 15.39 | 62 | 75 | 78 | 78 | 0.65 | 0.75 | 0.81 | 17.29 | 15.0 | |
| 7.50 | 5.5 | 6.3 | 15500 | 460 | 3480 | 12.90 | 51 | 75 | 77 | 77 | 0.66 | 0.76 | 0.82 | 17.29 | 15.1 | |
| 10.0 | 7.5 | 8.6 | 15500 | 230 | 3490 | 35.91 | 145 | 75 | 78 | 79 | 0.59 | 0.71 | 0.78 | 23.58 | 22.41 | |
| 10.0 | 7.5 | 8.6 | 15500 | 380 | 3485 | 20.79 | 81 | 76 | 78 | 77 | 0.65 | 0.75 | 0.81 | 23.58 | 20.20 | |
| 10.0 | 7.5 | 8.6 | 15500 | 460 | 3470 | 17.20 | 65 | 76 | 78 | 78 | 0.67 | 0.78 | 0.82 | 23.70 | 19.40 | |
| 12.5 | 9.3 | 10.7 | 15500 | 230 | 3490 | 44.41 | 183 | 76 | 79 | 79 | 0.60 | 0.71 | 0.78 | 29.3 | 28.91 | |
| 12.5 | 9.3 | 10.7 | 15500 | 380 | 3470 | 25.60 | 101 | 77 | 79 | 80 | 0.65 | 0.75 | 0.81 | 29.4 | 25.89 | |
| 12.5 | 9.3 | 10.7 | 15500 | 460 | 3460 | 20.79 | 78 | 79 | 80 | 80 | 0.67 | 0.78 | 0.82 | 29.4 | 24.40 | |
| 15.0 | 11 | 12.7 | 15500 | 230 | 3480 | 51.21 | 221 | 77 | 80 | 81 | 0.61 | 0.72 | 0.80 | 34.59 | 35.61 | |
| 15.0 | 11 | 12.7 | 15500 | 380 | 3490 | 30.29 | 129 | 77 | 81 | 81 | 0.62 | 0.74 | 0.80 | 34.51 | 34.30 | |
| 15.0 | 11 | 12.7 | 15500 | 460 | 3480 | 25.00 | 97 | 78 | 81 | 80 | 0.69 | 0.77 | 0.83 | 34.70 | 31.50 | |
| 17.5 | 13 | 15.0 | 15500 | 230 | 3500 | 62.39 | 289 | 76 | 80 | 82 | 0.56 | 0.68 | 0.76 | 40.71 | 50.51 | |
| 17.5 | 13 | 15.0 | 15500 | 380 | 3505 | 36.30 | 164 | 77 | 81 | 82 | 0.59 | 0.71 | 0.79 | 40.71 | 47.21 | |
| 17.5 | 13 | 15.0 | 15500 | 460 | 3490 | 29.00 | 124 | 77 | 81 | 81 | 0.66 | 0.76 | 0.82 | 40.90 | 43.30 | |
| 20.0 | 15 | 17.3 | 15500 | 230 | 3500 | 65.89 | 324 | 80 | 82 | 83 | 0.64 | 0.74 | 0.81 | 47.1 | 59.52 | |
| 20.0 | 15 | 17.3 | 15500 | 380 | 3490 | 39.10 | 188 | 81 | 83 | 83 | 0.66 | 0.77 | 0.83 | 47.2 | 56.50 | |
| 20.0 | 15 | 17.3 | 15500 | 460 | 3495 | 32.11 | 150 | 80 | 83 | 83 | 0.69 | 0.78 | 0.84 | 47.1 | 55.61 | |
| 25.0 | 18.5 | 21.3 | 15500 | 230 | 3490 | 85.39 | 401 | 77 | 81 | 82 | 0.60 | 0.71 | 0.77 | 58.11 | 81.81 | |
| 25.0 | 18.5 | 21.3 | 15500 | 380 | 3490 | 52.49 | 249 | 77 | 81 | 81 | 0.59 | 0.70 | 0.77 | 58.11 | 83.60 | |
| 25.0 | 18.5 | 21.3 | 15500 | 460 | 3480 | 40.60 | 183 | 80 | 82 | 82 | 0.65 | 0.76 | 0.81 | 58.39 | 74.51 | |
| 30.0 | 22 | 25.3 | 15500 | 230 | 3510 | 100.2 | 521 | 81 | 84 | 84 | 0.66 | 0.74 | 0.77 | 68.78 | 96.61 | |
| 30.0 | 22 | 25.3 | 15500 | 380 | 3510 | 59.89 | 390 | 82 | 83 | 84 | 0.67 | 0.76 | 0.78 | 68.78 | 94.91 | |
| 30.0 | 22 | 25.3 | 15500 | 460 | 3500 | 47.11 | 231 | 83 | 84 | 84 | 0.72 | 0.79 | 0.81 | 69.10 | 85.80 | |
| 35.0 | 26 | 29.9 | 15500 | 230 | 3510 | 118.3 | 658 | 83 | 84 | 85 | 0.63 | 0.72 | 0.76 | 81.29 | 135.00 | |
| 35.0 | 26 | 29.9 | 15500 | 380 | 3500 | 67.49 | 360 | 83 | 85 | 85 | 0.63 | 0.74 | 0.81 | 81.61 | 121.41 | |
| 35.0 | 26 | 29.9 | 15500 | 460 | 3510 | 55.71 | 288 | 83 | 85 | 85 | 0.64 | 0.75 | 0.84 | 81.6 | 117.20 | |
| 40.0 | 30 | 34.5 | 27500 | 230 | 3510 | 135.7 | 757 | 78 | 81 | 83 | 0.59 | 0.71 | 0.78 | 93.81 | 139.61 | |
| 40.0 | 30 | 34.5 | 27500 | 380 | 3510 | 79.59 | 436 | 79 | 83 | 84 | 0.62 | 0.75 | 0.81 | 93.89 | 132.90 | |
| 40.0 | 30 | 34.5 | 27500 | 460 | 3500 | 64.41 | 345 | 81 | 83 | 84 | 0.63 | 0.76 | 0.82 | 94.00 | 126.41 | |
| 50.0 | 37.0 | 42.6 | 27500 | 230 | 3510 | 135.6 | 757 | 78 | 82 | 83 | 0.59 | 0.71 | 0.78 | 93.78 | 139.61 | |
| 50.0 | 37.0 | 42.6 | 27500 | 380 | 3510 | 102.7 | 568 | 77 | 81 | 82 | 0.59 | 0.72 | 0.78 | 115.8 | 193.61 | |
| 50.0 | 37.0 | 42.6 | 27500 | 460 | 3500 | 79.12 | 430 | 81 | 84 | 85 | 0.63 | 0.75 | 0.82 | 115.9 | 177.80 | |

- PN - Rated Output
- UN - Rated Voltage
- nN-RPM
- IN - Full Load Current
- IA-Starting Current
- n - Motor Efficiency
- cos(p) - Power Factor
- TN - Full Load Torque
- TA-Starting Torque
- F(N) -Axial Thrust Load

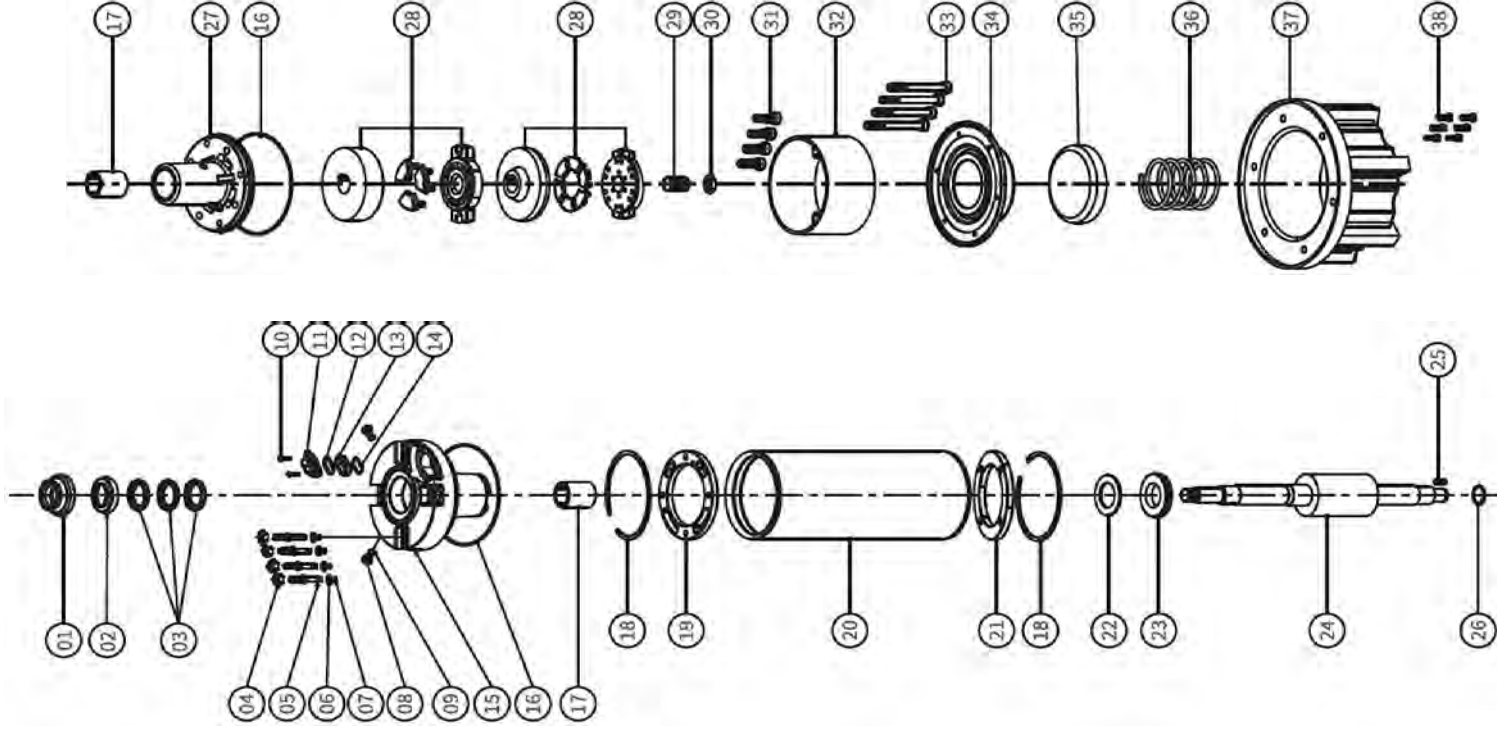
6" CI T-Type Re-windable Motor Exploded View





6" Rewindable Sub. Motors

Exploded View of Spare Parts of Motors C.I. Motor Base

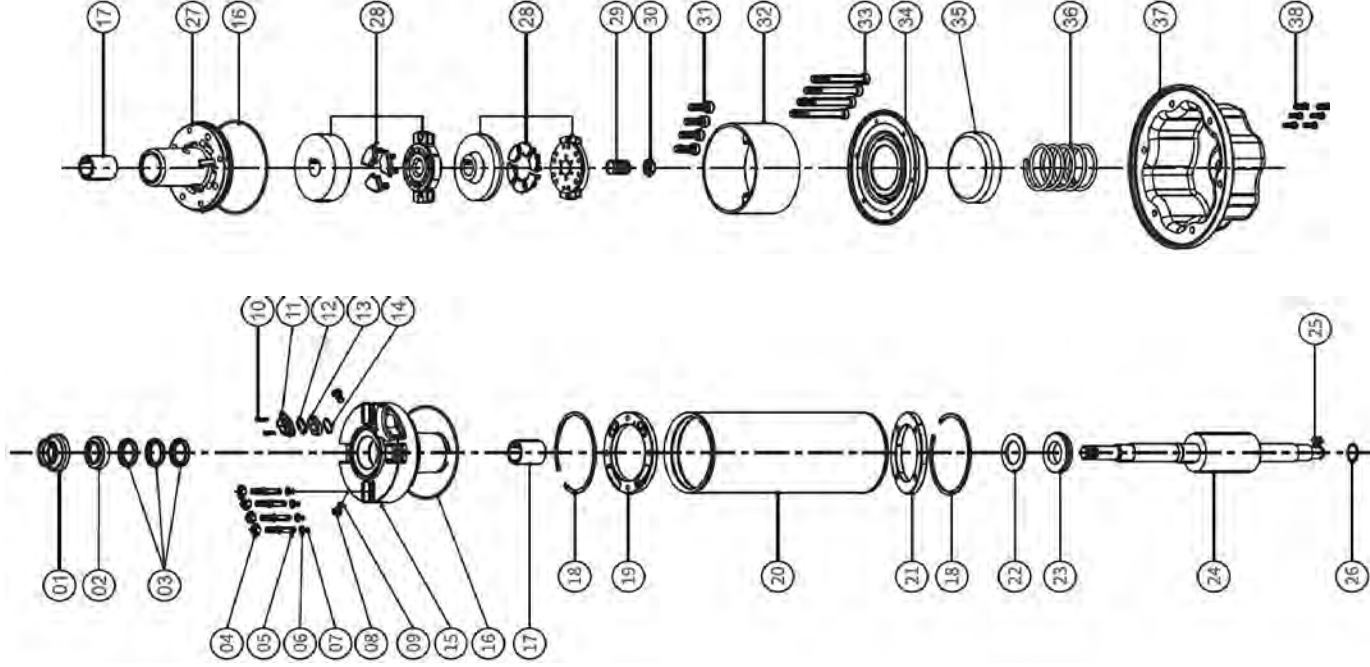


| No. | Part's name |
|-----|-------------------------------------|
| 1 | Sand Guard |
| 2 | Upper Cap |
| 3 | Oil Seal |
| 4 | Nut |
| 5 | Stud |
| 6 | Stud Washer |
| 7 | Stud 'O' Ring |
| 8 | Drain Plug |
| 9 | Drain Plug 'O' Ring |
| 10 | Allen Bolt |
| 11 | Cable Protector Cap |
| 12 | Plastic Grommet |
| 13 | Washer Rubber Grommet |
| 14 | S.S. Grommet Washer |
| 15 | Upper Housing |
| 16 | 'O' Ring (Upper & Lower) |
| 17 | Bearing Bush |
| 18 | Cir Clip |
| 19 | Upper Flange |
| 20 | Stator Body |
| 21 | Lower Flange |
| 22 | Teflon Washer |
| 23 | Thrust Ring |
| 24 | Rotor Shaft |
| 25 | Rotor Key |
| 26 | Cir Clip Bearing Side |
| 27 | Lower Housing |
| 28 | Thrust Bearing Set (Up To 10.0 H.P) |
| 29 | Thrust Bearing Set (Above 10.0 H.P) |
| 29 | Rocker |
| 30 | Rocker Lock Nut |
| 31 | Allen Bolt Lower Side |
| 32 | Lower Par |
| 33 | Allen Bolt Lower Part-2 Side |
| 34 | Pressure Cup |
| 35 | Spring Jacket |
| 36 | Spring |
| 37 | Motor Base C.I |
| 38 | Allen Bolt Motor Base Side |



6" Rewindable Sub. Motors

Exploded View of Spare Parts of Motors Stainless Steel Motor Base



| No. | Part's Name |
|-----|-------------------------------------|
| 1 | Sand Guard |
| 2 | Upper Cap |
| 3 | Oil Seal |
| 4 | Nut |
| 5 | Stud |
| 6 | Stud Washer |
| 7 | Stud 'O' Ring |
| 8 | Drain Plug |
| 9 | Drain Plug 'O' Ring |
| 10 | Allen Bolt |
| 11 | Cable Protector Cap Plastic |
| 12 | Grommet Washer |
| 13 | Rubber Grommet |
| 14 | S.S. Grommet Washer |
| 15 | Upper Housing |
| 16 | 'O' Ring(Upper & Lower) |
| 17 | Bearing Bush |
| 18 | Cir Clip |
| 19 | Upper Flange |
| 20 | Stator Body |
| 21 | Lower Flange |
| 22 | Teflon Washer |
| 23 | Thrust Ring |
| 24 | Rotor Shaft |
| 25 | Rotor Key |
| 26 | Cir Clip Bearing Side |
| 27 | Lower Housing |
| 28 | Thrust Bearing Set (Up To 10.0 H.P) |
| 29 | Thrust Bearing Set (Above 10.0 H.P) |
| 30 | Rocker |
| 31 | Rocker Lock Nut |
| 32 | Allen Bolt Lower Side |
| 33 | Lower Part-2 |
| 34 | Allen Bolt Lower Part-2 Side |
| 35 | Pressure Cup |
| 36 | Spring Jacket |
| 37 | Spring |
| 38 | Motor Base |
| 39 | Allen Bolt Motor Base Side |



8" SUBMERSIBLE MOTORS (RE-WINDABLE)

TECHNICAL SPECIFICATIONS:

8" Water Lubricated Submersible Motors are rewindable.

Coupling dimensions as per NEMA standard.

Winding wire : Polywrapped/ PVC winding available on specific demand

Degree of protection : IP68.

Max water temperature : 35 ° C.

Starts per hour : 20 time (Max.).

Allowable voltage variation: +6% - 10%.

Motor shaft of Stainless steel.

Stator shell of Stainless steel.

Max depth immersion : 350 M.

Mounting: vertical/ horizontal.

Motor Cable length : 3 Meter/ 3 Core with separate earth cable & 4 Core.

Cooling Flow: V:0.2 M³/S.

Coolant : Clear Water.

VERSIONS:

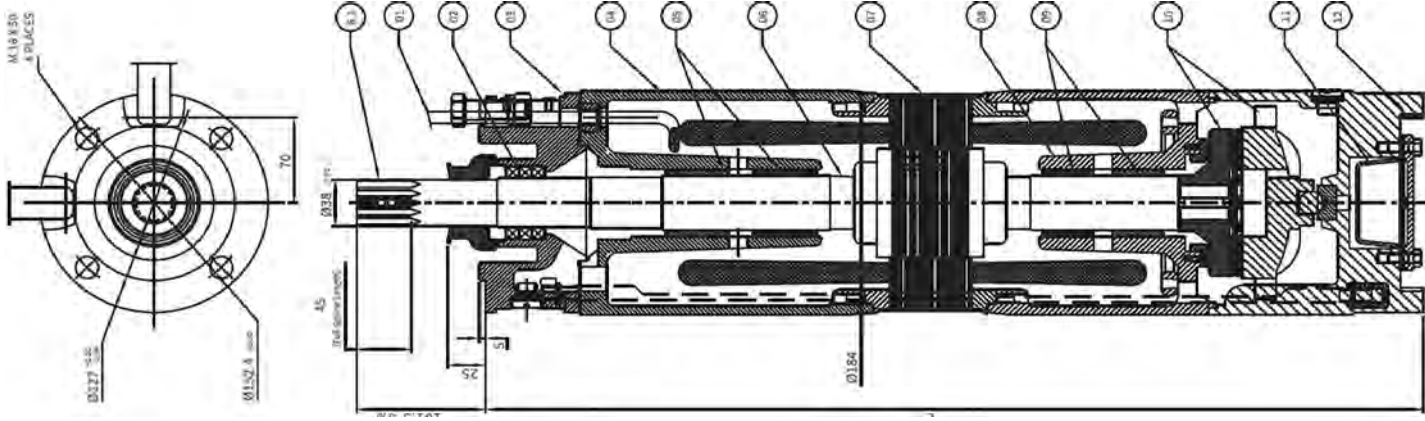
Three Phase: 22 kW To 55 kW/ 380-415 Volt/50 Hz
30 kW To 55 kW/ 380-460 Volt/60 Hz.

Motor With Other Voltage and frequency ratings are
available on specific Demand.



8" Rewindable Sub. Motors

8" REWINDABLE MOTOR DESIGN



| SRNO. | PARTSNAME | MATERIAL |
|-------|---------------------|---------------------------|
| 01 | CABLE 3 CORE/4 CORE | EPR/P.V.C |
| 02 | OIL SEAL | N.B.R |
| 03 | ADAPTOR | CAST IRON(FG-200) |
| 04 | UPPER HOUSING | CAST IRON(FG-200) |
| 05 | BEARING BUSH | LTB-4 (2%Ni.) / M.S-N.B.R |
| 06 | ROTOR SHAFT | S.S.420 |
| 6.1 | SHAFT END | S.S.303 |
| 07 | MOTOR SHELL | S.S.304 |
| 08 | LOWER HOUSING | CAST IRON(FG-200) |
| 09 | BEARING BUSH | LTB-4 (2%Ni.) / M.S-N.B.R |
| 10 | THRUST BEARING SET | CARBON / S.S.420 |
| 1.1 | PRESSURE CUP | N.B.R |
| 12 | MOTOR BASE | CAST IRON(FG-200) |
| 13 | ALL HARDWARE | S.S.316/304 |

| P N | [KW] | [HP] | PW L [mm] | | Motor Weight [kg] | |
|------|-------|---------|-----------|-----------|-------------------|------------------------------|
| | | | C.I. | Cast Iron | Cast Iron | Motor Weight (incl. pkg)[kg] |
| 30.0 | 40.00 | 1250.00 | 121 | 137.4 | | |
| 37.0 | 50.00 | 1320.00 | 138 | 156.4 | | |
| 45.0 | 60.00 | 1320.00 | 165 | 183.4 | | |
| 55.0 | 75.00 | 1380.00 | 205 | 223 | | |



8" Rewindable Sub. Motors

Performance Data of 8" Rewindable Aqualite Submersible Motors/ 50 Hz

| PN [H.P.] | Thrust Load [N] | UN M | nN [min-1] | IN [A] | IA [A] | n (Eff) [%] at % load | | | cos(p)(PF) at % load | | | TN [Nm] | TA [Nm] |
|--------------|-----------------------|---------|---------------|-----------|-----------|--------------------------|------|------|-------------------------|------|------|------------|------------|
| | | | | | | 50 | 75 | 100 | 50 | 75 | 100 | | |
| 40.0 | 45000 | 380 | 2885 | 63.10 | 301 | 83.4 | 84.4 | 83.2 | 0.88 | 0.88 | 0.89 | 99.1 | 126 |
| 40.0 | 45000 | 400 | 2900 | 60.00 | 317 | 83.5 | 85 | 84.4 | 0.80 | 0.85 | 0.89 | 99.0 | 141 |
| 40.0 | 45000 | 415 | 2910 | 58.00 | 331 | 83.4 | 85.1 | 84.8 | 0.76 | 0.88 | 0.89 | 98.1 | 150 |
| 50.0 | 45000 | 380 | 2890 | 79.11 | 377 | 84.5 | 85.2 | 84.0 | 0.81 | 0.85 | 0.87 | 122 | 155 |
| 50.0 | 45000 | 400 | 2910 | 76.00 | 400 | 83.8 | 85.2 | 84.5 | 0.75 | 0.82 | 0.86 | 122 | 176 |
| 50.0 | 45000 | 415 | 2910 | 75.10 | 411 | 82.5 | 84.4 | 84.3 | 0.70 | 0.80 | 0.85 | 120 | 189 |
| 60.0 | 45000 | 380 | 2895 | 92.90 | 490 | 85.7 | 86.5 | 85.2 | 0.80 | 0.85 | 0.88 | 149 | 218 |
| 60.0 | 45000 | 400 | 2910 | 90.00 | 520 | 85.3 | 86.5 | 86.0 | 0.75 | 0.82 | 0.86 | 148 | 240 |
| 60.0 | 45000 | 415 | 2910 | 88.00 | 542 | 84.4 | 86.1 | 85.8 | 0.69 | 0.80 | 0.85 | 147 | 262 |
| 75.0 | 45000 | 380 | 2910 | 115.0 | 625 | 86.4 | 86.8 | 85.7 | 0.78 | 0.84 | 0.88 | 182 | 302 |
| 75.0 | 45000 | 400 | 2915 | 110.0 | 660 | 85.8 | 87.0 | 86.5 | 0.72 | 0.82 | 0.85 | 180 | 341 |
| 75.0 | 45000 | 415 | 2920 | 109.0 | 687 | 84.7 | 86.5 | 86.2 | 0.67 | 0.78 | 0.85 | 180 | 367 |

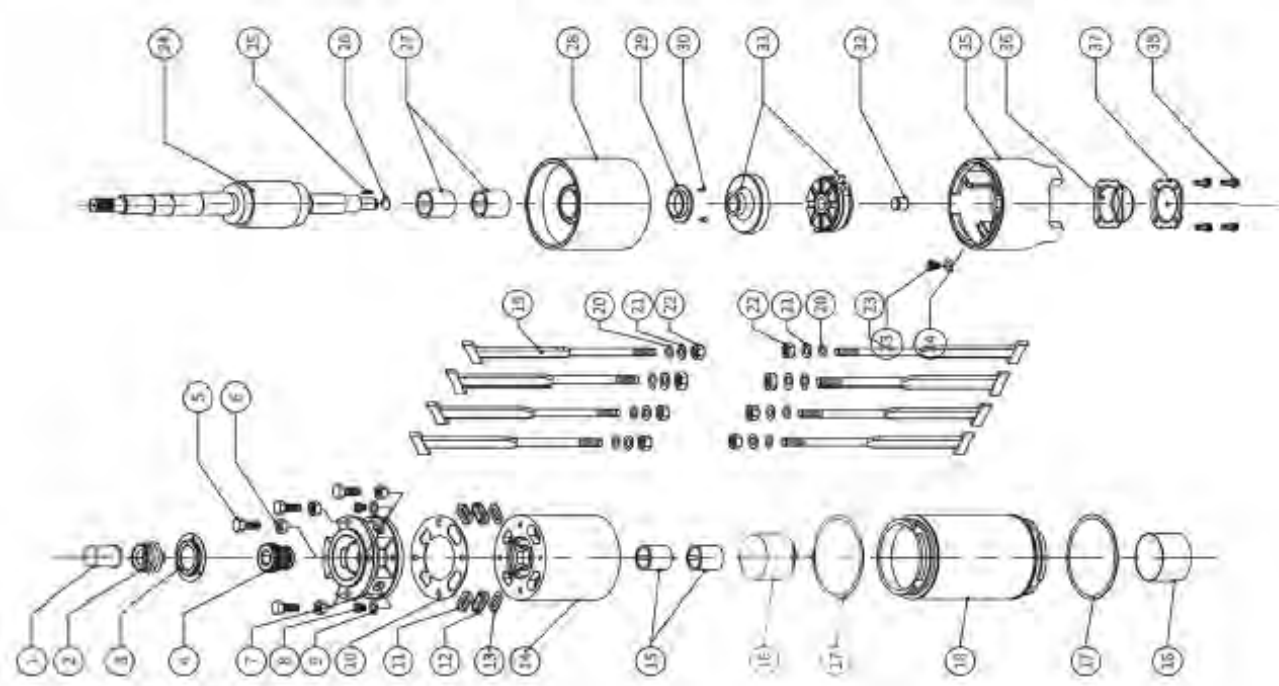
Performance Data of 8" Rewindable Standard or Aqualite Submersible Motors / 60 Hz

| P N [H.P.] | Thrust Load [N] | UN M | nN [min-1] | IN [A] | IA [A] | n(Eff) [%] at % load | | | cos(p) (PF) at % load | | | TN [Nm] | TA [Nm] |
|---------------|-----------------------|---------|---------------|-----------|-----------|-------------------------|------|------|--------------------------|------|------|------------|------------|
| | | | | | | 50 | 75 | 100 | 50 | 75 | 100 | | |
| 40.0 | 45000 | 380 | 3500 | 73 | 393 | 82.3 | 84.6 | 84.6 | 0.81 | 0.86 | 0.88 | 99 | 142 |
| 50.0 | 45000 | 460 | 3495 | 60 | 325 | 81.5 | 83.5 | 83.4 | 0.82 | 0.86 | 0.89 | 99 | 131 |
| 60.0 | 45000 | 380 | 3510 | 91 | 513 | 83.2 | 85.1 | 85.4 | 0.76 | 0.82 | 0.85 | 121 | 178 |
| 75.0 | 45000 | 460 | 3490 | 75 | 407 | 83.8 | 85.4 | 84.8 | 0.77 | 0.85 | 0.87 | 122 | 163 |
| 60.0 | 45000 | 380 | 3510 | 110 | 660 | 83.5 | 85.7 | 85.8 | 0.73 | 0.81 | 0.85 | 149 | 241 |
| 75.0 | 45000 | 460 | 3505 | 90 | 523 | 85.0 | 86.5 | 86.3 | 0.77 | 0.84 | 0.87 | 149 | 220 |
| 75.0 | 45000 | 380 | 3520 | 137 | 841 | 84.3 | 86.5 | 86.5 | 0.72 | 0.81 | 0.84 | 182 | 320 |
| 75.0 | 45000 | 460 | 3515 | 108 | 658 | 85.7 | 87.1 | 86.8 | 0.77 | 0.84 | 0.88 | 181 | 288 |



8" Rewindable Sub. Motors

| No. | Part's Name |
|-----|---------------------------|
| 1 | Rotor Cap |
| 2 | Sand Guard (M.S Insert) |
| 3 | Upper Cap |
| 4 | Mech. Seal |
| 5 | Hex Bolt |
| 6 | Hex Nut |
| 7 | Adaptor |
| 8 | Drain Plug |
| 9 | Drain Plug 'O' Ring |
| 10 | Paper Gasket |
| 11 | Grommet Washer |
| 12 | Grommet |
| 13 | Grommet Washer |
| 14 | Upper Housing |
| 15 | Bearing Bush (Upper Side) |
| 16 | Winding Cap |
| 17 | Paper Gasket |
| 18 | Stator Body |
| 19 | T-bolt (Upper Side) |
| 20 | T-bolt 'O' Ring |
| 21 | T-Bolt Washer |
| 22 | Hex Nut |
| 23 | T-Bolt (Lower Side) |
| 24 | Rotor |
| 25 | Rotor Key |
| 26 | Rotor Cir Clip |
| 27 | Bearing Bush (Lower Side) |
| 28 | Lower Housing |
| 29 | Fiber C.T Bearing |
| 30 | Screw |
| 31 | Counter Bearing Set |
| 32 | Fix Rocker |
| 33 | Drain Plug |
| 34 | Drain Plug 'O' Ring |
| 35 | Motor Base |
| 36 | Pressure Cup |
| 37 | Motor Base Plate |
| 38 | Hex Bolt |





9" Rewindable Sub. Motors

9" SUBMERSIBLE MOTORS (RE-WINDABLE)

TECHNICAL SPECIFICATIONS:

9" VARUNA Water Lubricated Submersible Motors are rewindable.

Coupling dimensions: 8" NEMA standard.

Winding wire: PVC winding

Degree of protection : IP68.

Max water temperature : 35 ° C.

Starts per hour : 20 time (Max.).

Allowable voltage variation : +6% - 10%.

Motor shaft of Stainless steel.

Stator shell of Stainless steel.

Max depth immersion : 350 M.

Mounting : vertical

Motor Cable length : 3 Meter/ 3 Core with separate earth cable.

Cooling Flow : V:0.2 M³/S.

Coolant : Clear Water.

VERSIONS:

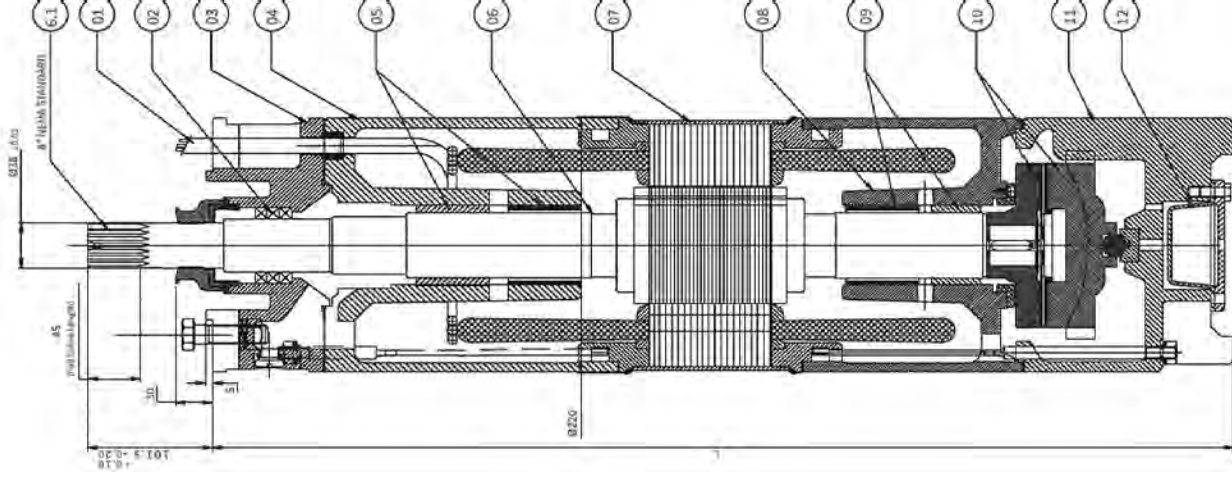
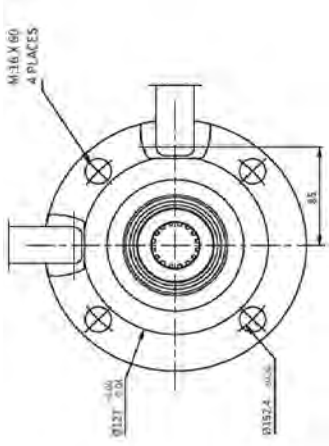
Three Phase : 45 kW To 93 kW/ 380-415 Volt/50 Hz

Motor With Other Voltage and frequency ratings are available on specific Demand.



9" Rewindable Sub. Motors

9" REWINDABLE MOTOR DESIGN



| SRNO. | PART'SNAME | MATERIAL |
|-------|----------------------|---------------------------|
| 01 | CABLE 3 CORE /4 CORE | EPR/P.V.C |
| 02 | OIL SEAL | N.B.R |
| 03 | ADAPTOR | CAST IRON (FG-200) |
| 04 | UPPER HOUSING | CAST IRON (FG-200) |
| 05 | BEARING BUSH | LTB-4 (2% Ni.)/ M.S-N.B.R |
| 06 | ROTOR SHAFT | S.S.420 |
| 07 | MOTOR SHELL | S.S.304 |
| 08 | LOWER HOUSING | CAST IRON (FG-200) |
| 09 | BEARING BUSH | LTB-4 (2% Ni.)/ M.S-N.B.R |
| 10 | THRUST BEARING SET | CARBON / S.S.420 |
| 11 | MOTOR BASE | CAST IRON (FG-200) |
| 12 | PRESSURE CUP | N.B.R |
| 13 | ALL HARDWARE | S.S.316/304 |

| P | N | PW L(mm) | MOTOR WEIGHT | MOTOR WEIGHT |
|------|-------|-------------|--------------|------------------|
| | | | [kg] | (incl.p.kg) [kg] |
| [kW] | [HP] | Cast Iron | Cast Iron | Cast Iron |
| 45.0 | 60.00 | 1336.0 | 165.0 | 183.0 |
| 55.0 | 75.00 | 1466.0 | 262.0 | 342.0 |
| 75.0 | 100.0 | 1606.0 | 300.0 | 360.0 |
| 93.0 | 125.0 | 1606.0 | 300.0 | 360.0 |



9" Rewindable Sub. Motors

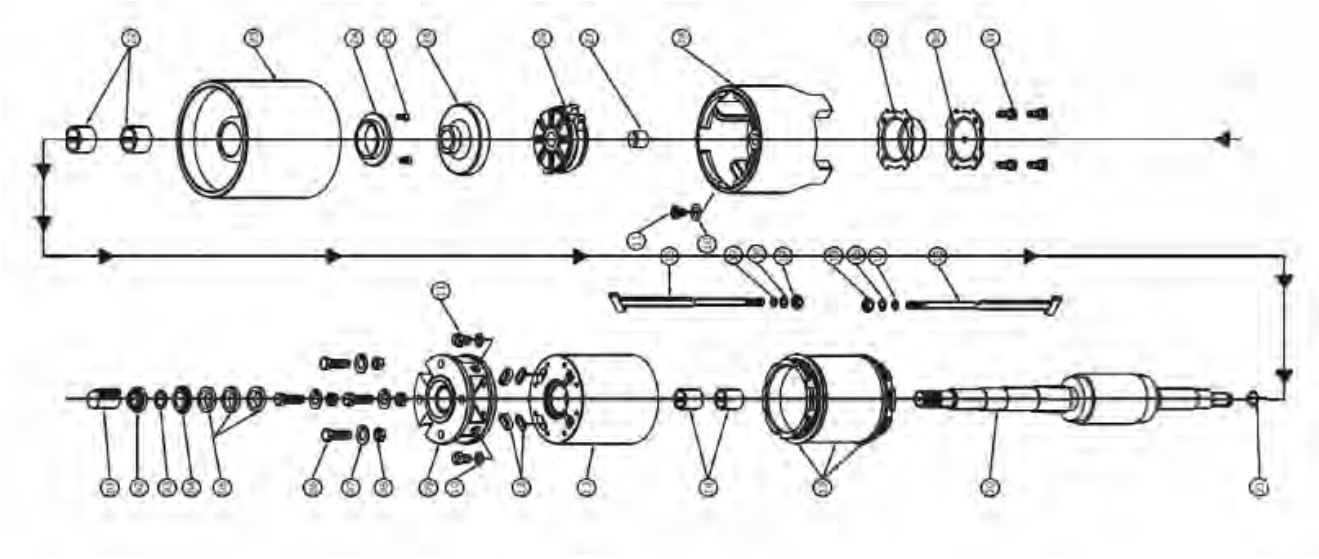
Performance Data of 9" Standard Rewindable Submersible Motors/50 Hz

| PN | Thrust Load [N] | UN | nN [min-1] | IN [A] | IA [A] | n (Eff.) [%] | | | cos(p) (PF) at % load | | | TN [Nm] | TA [Nm] |
|-----|-----------------|-----|------------|--------|--------|--------------|------|------|-----------------------|------|------|---------|---------|
| | | | | | | 50 | 75 | 100 | 50 | 75 | 100 | | |
| 60 | 45 | 380 | 2905 | 93.1 | 490 | 86.0 | 86.2 | 85.3 | 0.80 | 0.87 | 0.89 | 155 | 219 |
| 60 | 45 | 400 | 2915 | 90 | 520 | 85.5 | 86.4 | 85.9 | 0.75 | 0.84 | 0.87 | 154 | 241 |
| 60 | 45 | 415 | 2920 | 88 | 540 | 84.8 | 86.3 | 85.7 | 0.70 | 0.80 | 0.85 | 154 | 262 |
| 75 | 55 | 380 | 2910 | 114 | 624 | 86.8 | 87.0 | 85.6 | 0.79 | 0.85 | 0.89 | 193 | 301 |
| 75 | 55 | 400 | 2915 | 110 | 660 | 85.9 | 86.9 | 86.3 | 0.73 | 0.83 | 0.87 | 193 | 341 |
| 75 | 55 | 415 | 2920 | 108 | 687 | 84.9 | 87.1 | 86.1 | 0.66 | 0.79 | 0.86 | 193 | 367 |
| 100 | 75 | 380 | 2905 | 153 | 891 | 86.8 | 87.2 | 85.8 | 0.78 | 0.85 | 0.88 | 258 | 420 |
| 100 | 75 | 400 | 2920 | 148 | 942 | 86.2 | 87.4 | 86.8 | 0.75 | 0.84 | 0.85 | 257 | 471 |
| 100 | 75 | 415 | 2915 | 146 | 983 | 85.5 | 86.8 | 86.5 | 0.68 | 0.78 | 0.84 | 257 | 511 |
| 125 | 93 | 380 | 2905 | 187 | 1185 | 87.9 | 88.5 | 87.7 | 0.78 | 0.84 | 0.87 | 305 | 558 |
| 125 | 93 | 400 | 2915 | 182 | 1275 | 87.3 | 88.4 | 87.8 | 0.72 | 0.82 | 0.86 | 304 | 627 |
| 125 | 93 | 415 | 2925 | 183 | 1309 | 86.3 | 87.7 | 87.6 | 0.66 | 0.77 | 0.84 | 304 | 677 |

- PN - Rated Output
- F[N] - Axial Thrust Load
- UN - Rated Voltage
- nN - RPM
- IN - Full Load Current
- IA - Starting Current
- η - Motor Efficiency
- cosφ - Power Factor
- TN - Full Load Torque
- TA - Starting Torque



9" Rewindable Sub. Motors



| Sr. No. | Part's Name |
|---------|---|
| 01 | Rotor Cap |
| 02 | Sand Guard |
| 03 | Teflon Washer |
| 04 | Upper Cap |
| 05 | Oil Seal |
| 06 | Hex Bolt |
| 07 | Spring Washer |
| 08 | Hex Nut |
| 09 | Adaptor |
| 10 | Drain Plug 'O' Ring |
| 11 | Drain Plug |
| 12 | Grommet & Washer |
| 13 | Upper Housing |
| 14 | Bearing Bush |
| 15 | Stator Body Finish Flange (use For Upper & Lower Side) |
| 16 | T-Bolt (Upper Side) |
| 17 | T-Bolt (Lower Side) |
| 18 | T-Bolt 'O' ring |
| 19 | T-Bolt Washer |
| 20 | Nylonlock Nut |
| 21 | Rotor Finish |
| 22 | Cir Clip (Use For Rotor) |
| 23 | Bearing Bush |
| 24 | Lower Housing |
| 25 | C.T. Bearing |
| 26 | C.S.K. Screw |
| 27 | Counter Bearing |
| 28 | Fix Rocker |
| 29 | Motor Base |
| 30 | Pressure Cup |
| 31 | Motor Base Plate Hex Bolt |



10" SUBMERSIBLE MOTORS (RE-WINDABLE)

TECHNICAL SPECIFICATIONS:

10" Water Lubricated Submersible Motors are rewindable.

Coupling dimensions: 8" NEMA standard.

Winding wire: PVC winding

Degree of protection : IP68.

Max water temperature : 35'C.

Starts per hour : 20 time (Max.).

Allowable voltage variation: +6% - 10%.

Motor shaft of Stainless steel.

Stator shell of Stainless steel.

Max depth immersion : 350 M.

Mounting: vertical

Motor Cable length : 3 Meter/3 Core with separate earth cable.

Cooling Flow : V:0.2 M/S.

Coolant : Clear Water.

VERSIONS:

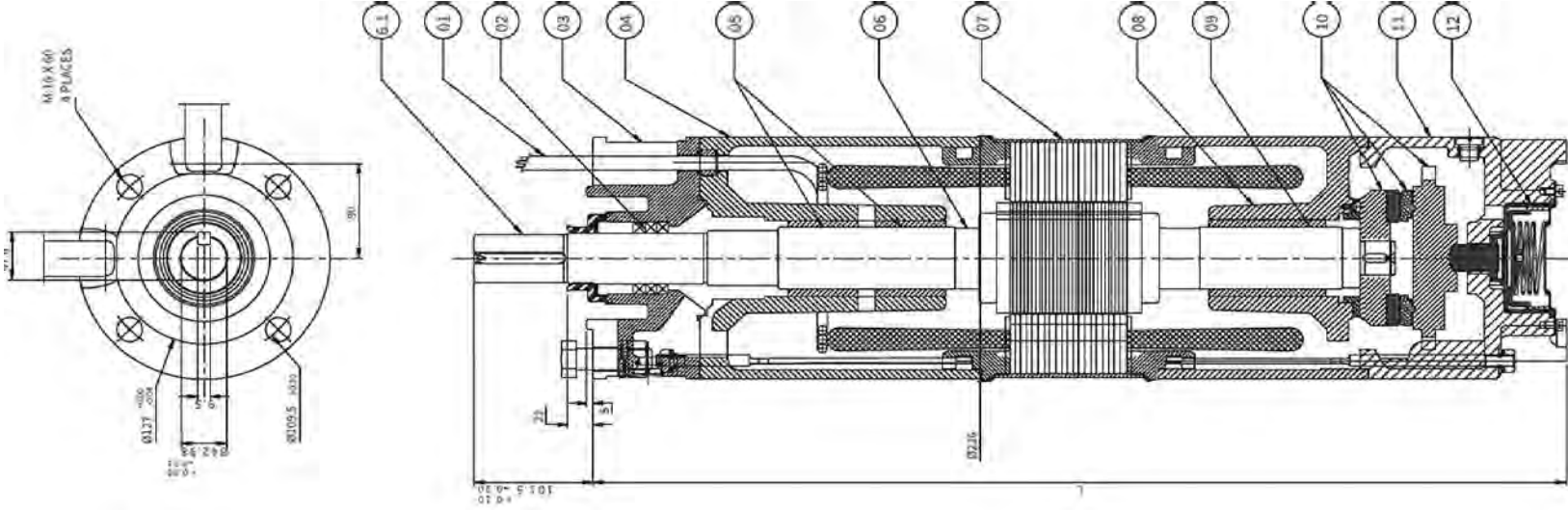
Three Phase : 110 kw to 150 kw/380-415 Volt/50 Hz

Motor With Other Voltage and frequency ratings are available on specific Demand.



10" Rewindable Sub. Motors

10" REWINDABLE MOTOR DESIGN



| SRNO. | PART'SNAME | MATERIAL |
|-------|----------------------|--------------------|
| 01 | CABLE 3 CORE /4 CORE | EPR/P.V.C |
| 02 | OILSEAL | N.B.R |
| 03 | ADAPTOR | CAST IRON (FG-200) |
| 04 | UPPER HOUSING | CAST IRON (FG-200) |
| 05 | BEARING BUSH | LTB-4 (2% Ni.) |
| 06 | ROTORSHAFT | 5.5.420 |
| 07 | MOTOR SHELL | 5.5.304 |
| 08 | LOWER HOUSING | CAST IRON (FG-200) |
| 09 | BEARING BUSH | LTB-4 (2% Ni.) |
| 10 | THRUST BEARING SET | CARBON / 5.5.420 |
| 11 | MOTOR BASE | CAST IRON (FG-200) |
| 12 | PRESSURE CUP | N.B.R |
| 13 | ALL HARDWARE | 5.5.316/304 |

"AVAILABLE MOTOR RATING :-115 H.P.,150 H.P.,180 H.P,200 H.P.

| P N | PW L[mm] | MOTOR WEIGHT | MOTOR WEIGHT |
|-------|--------------|--------------|-----------------|
| | | [kg] | (incl.plg) [kg] |
| [kW] | [HP] | Cast Iron | Castiron |
| 110.0 | 150.0 | 306.0 | 366.0 |
| 150.D | 2 00.0 | 357.0 | 42 7.0 |



10" Rewindable Sub. Motors

Performance Data of 10" Standard Rewindable Submersible Motors/50 Hz

| PN [H.P.] | Thrust Load [N] | UN [V] | nN [min-1] | IN [A] | IA [A] | η(Eff)[%] at % load | | | COS(P) (PF) At % load | | | TN [Nm] | TA [Nm] |
|--------------|-----------------------|-----------|---------------|-----------|-----------|------------------------|----|-----|--------------------------|------|------|------------|------------|
| | | | | | | 50 | 75 | 100 | 50 | 75 | 100 | | |
| 150 | 60 000 | 380 | 2905 | 236 | 1096 | 85 | 86 | 85 | 0.73 | 0.82 | 0.86 | 360 | 419 |
| | | 400 | 2915 | 231 | 1157 | 85 | 87 | 85 | 0.65 | 0.77 | 0.83 | 359 | 468 |
| | | 415 | 2920 | 232 | 1205 | 83 | 84 | 86 | 0.60 | 0.71 | 0.80 | 359 | 508 |
| 200 | 60 000 | 380 | 2910 | 306 | 1501 | 88 | 88 | 87 | 0.80 | 0.84 | 0.87 | 491 | 569 |
| | | 400 | 2915 | 297 | 1589 | 85 | 87 | 86 | 0.75 | 0.82 | 0.87 | 490 | 636 |
| | | 415 | 2930 | 295 | 1654 | 87 | 88 | 88 | 0.70 | 0.78 | 0.84 | 489 | 690 |

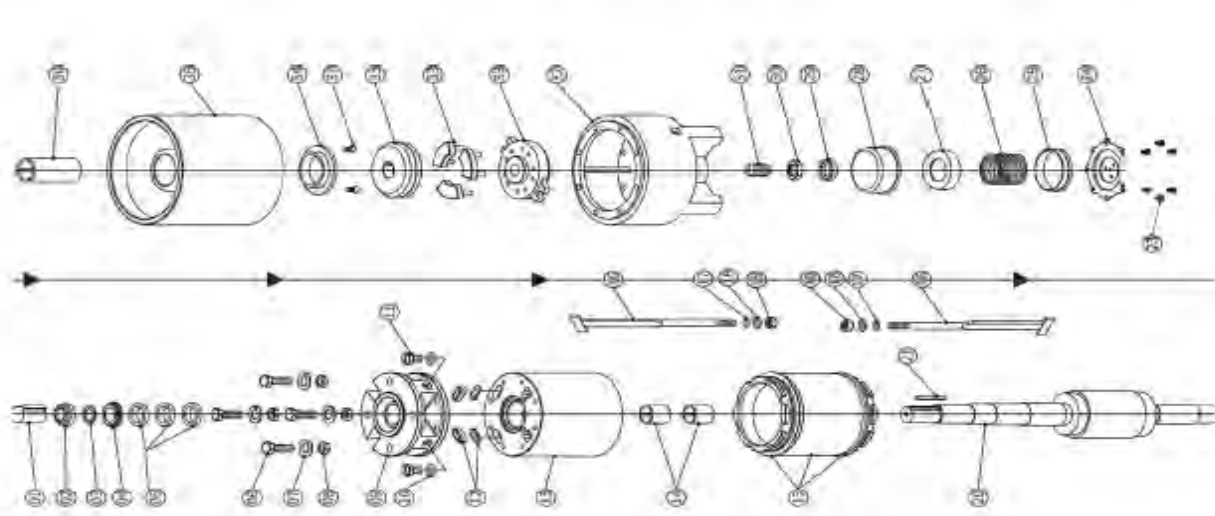
- PN - Rated Output
- UN - Rated Voltage
- nN - RPM
- IN - Full Load Current
- IA - Starting Current

- η - Motor Efficiency
- coscp - Power Factor
- TN - Full Load Torque
- TA - Starting Torque
- F[N] - Axial Thrust Load



10" Rewindable Sub. Motors

Exploded View of Spare Parts of Motors



| No. | Part's Name |
|-----|-------------------------------------|
| 01 | Rotor Cap |
| 02 | Sand Guard |
| 03 | Teflon Washer |
| 04 | Upper Cap |
| 05 | Oil Seal |
| 06 | Hex Bolt |
| 07 | Spring Washer |
| 08 | Hex Nut |
| 09 | Adapter |
| 10 | Drain Plug 'O' Ring |
| 11 | Drain Plug |
| 12 | Grommet & Washer |
| 13 | Upper Housing |
| 14 | Bearing Bush |
| | Stator Body Finish |
| 15 | Flange (use For Upper & Lower Side) |
| | T-Bolt (Upper Side) |
| 16 | T-Bolt (Lower Side) |
| 17 | T-Bolt 'O' Ring |
| 18 | T-Bolt Washer |
| 19 | Nylock Nut |
| 20 | Rotor Finish |
| 21 | Cir Clip (Use For Rotor) |
| 22 | Key (use For Coupling Side) |
| 23 | Slotted Roundhead Screw |
| 24 | Motor Base Plate |
| 25 | Spring/Jacket-1 |
| 26 | Spring |
| 27 | Spring Jacket-2 |
| 28 | PressurCup |
| 29 | Rocker Nut/Cap |
| 30 | Rocker Nut |
| 31 | Rocker |
| 32 | Motor Base |
| 33 | Carbon Bearing Set |
| 34 | C.T. Bearing |
| 35 | Lower Housing |
| 36 | Bearing Bush |
| 37 | C.S.K.Screw (use For C.T. Bearing) |